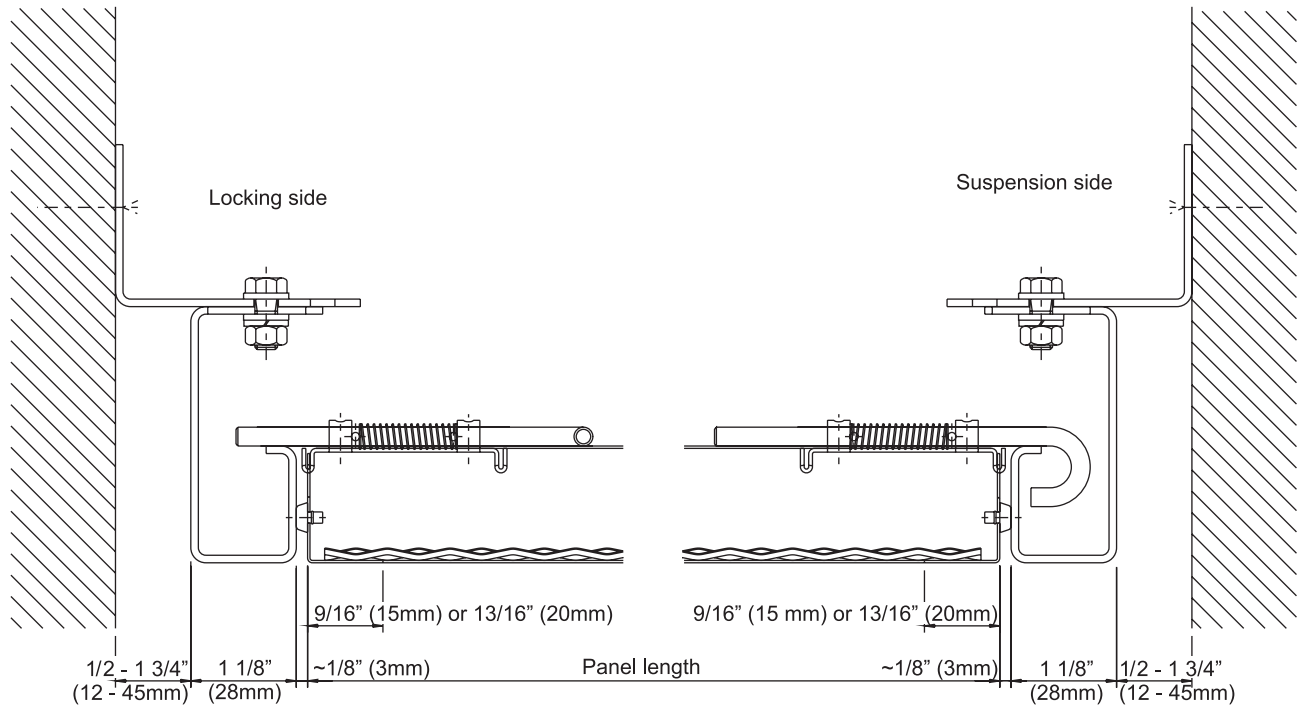


LMD-St 530 Fold-Down

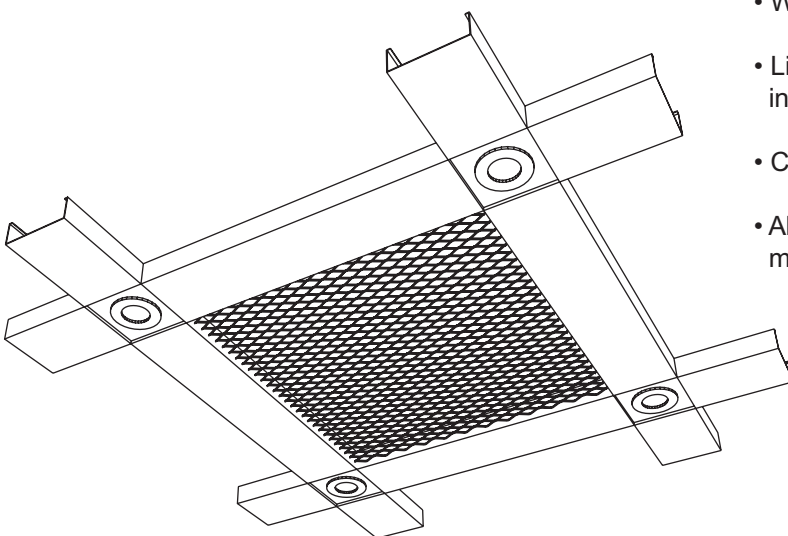
Fig. 136 Hook-On design, folds down and slides



k16017

LMD-St 600 Crossing Box

Fig. 137 Ceiling panel



Expanded metal ceiling

- With grid system and crossing boxes
- Light fixtures and ventilation diffusers can be integrated
- Ceiling panel, removable for inspection purposes
- Alternatively, the grid is also available in expanded metal

k16338

Subject to change without notice.

This document is intellectual property of Amstorf based Lindner-Holding KGaA. It may neither be duplicated, exploited for profit, distributed for business purposes nor shown to any third parties without our approval. Please note that all details, schemes, pictures and dimensions shown in this catalogue are without commitment and might vary due to final project requirements. Especially all figures shown in inch are rough dimensions only. Our O&M manuals, Installation Recommendations, Product Data Sheet, etc. and the installation of Lindner products are exclusively foreseen for persons with special metal ceiling knowledge. For safety reasons all others are not allowed to use Lindner's products. Lindner ceilings must be installed as a complete system. Missing, wrong or by other products substituted components, additional loads by services for e.g. luminaires and anchors not approved by Lindner can cause failure of the complete ceiling system. Lindner ceilings are high-quality products for the interior only. All in our documents mentioned performances are subject to correct installation according to our company's manuals and Standard Terms and Conditions.