

Fig. 194 Arch vaulted with light fixture trim along the sides

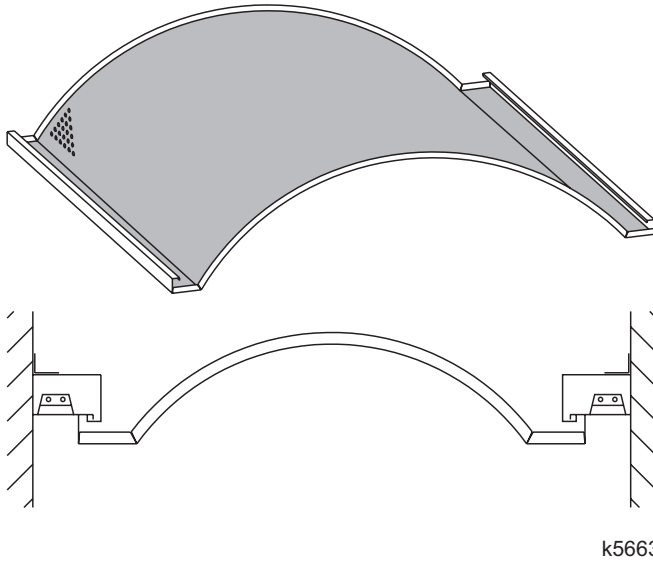


Fig. 196 Reverse arch vaulted with central light fixture trim

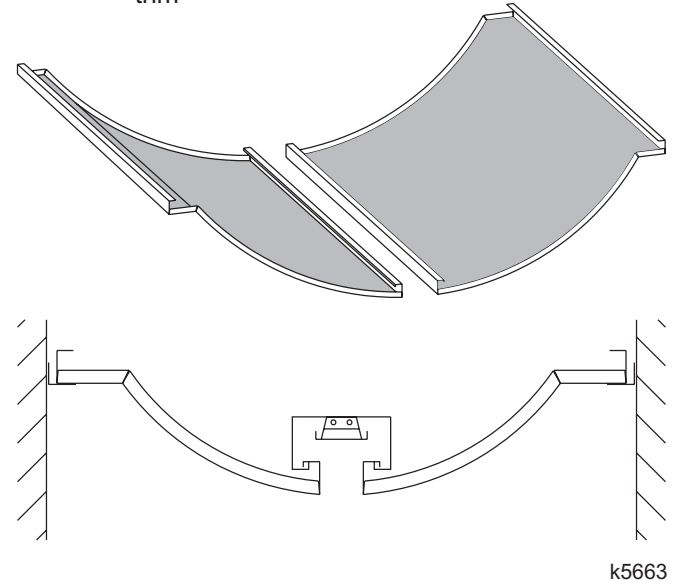


Fig. 188 Light cove along walls

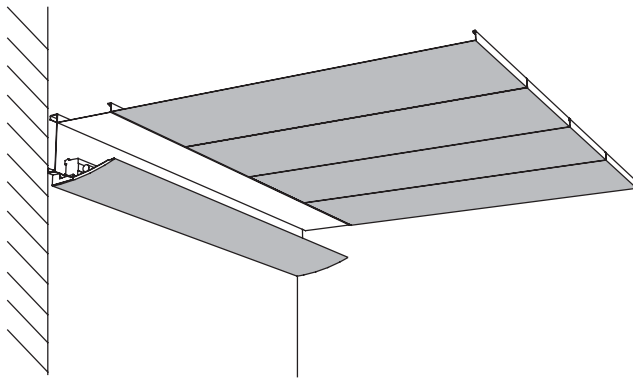


Fig. 195 Curved ceiling panels with indirect lighting

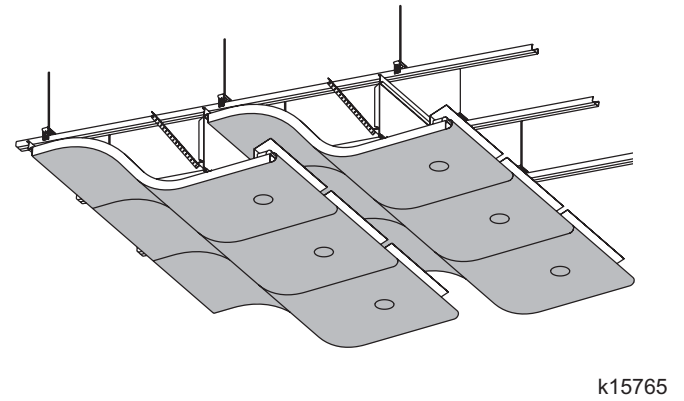


Fig. 197 Corrugated metal ceiling

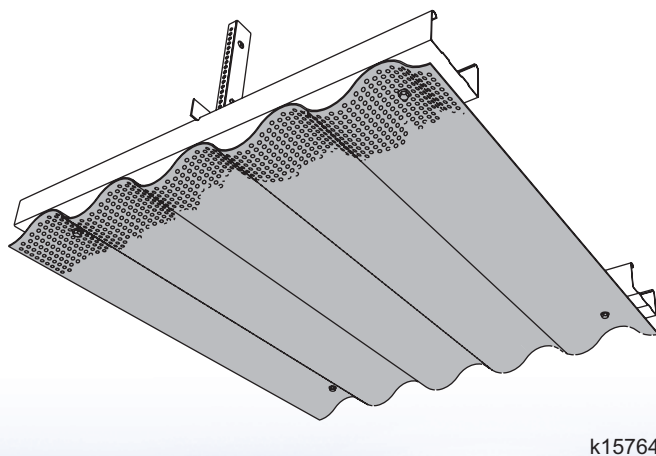
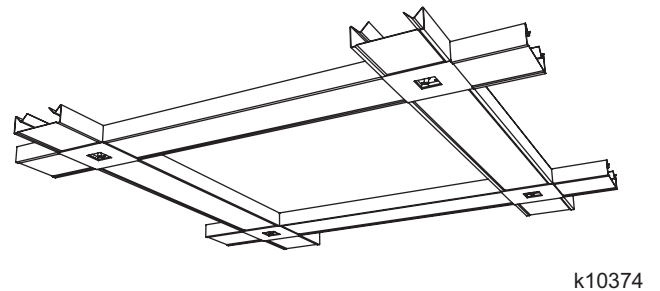


Fig. 198 Beam Grid



This document is intellectual property of Amstorf based Lindner-Holding KGaA. It may neither be duplicated, exploited for profit, distributed for business purposes nor shown to any third parties without our approval. Please note that all details, schemes, pictures and dimensions shown in this catalogue are without commitment and might vary due to final project requirements. Especially all figures shown in inch are rough dimensions only. Our O&M manuals, Installation Recommendations, Product Data Sheet, etc. and the installation of Lindner products are exclusively foreseen for persons with special metal ceiling knowledge. For safety reasons all others are not allowed to use Lindner's products. Lindner ceilings must be installed as a complete system. Missing, wrong or by other products substituted components, additional loads by services for e.g. luminaires and anchors not approved by Lindner can cause failure of the complete ceiling system. Lindner ceilings are high-quality products for the interior only. All in our documents mentioned performances are subject to correct installation according to our company's manuals and Standard Terms and Conditions.