

LMD-P 510 Impact Resistant

Fig. 150

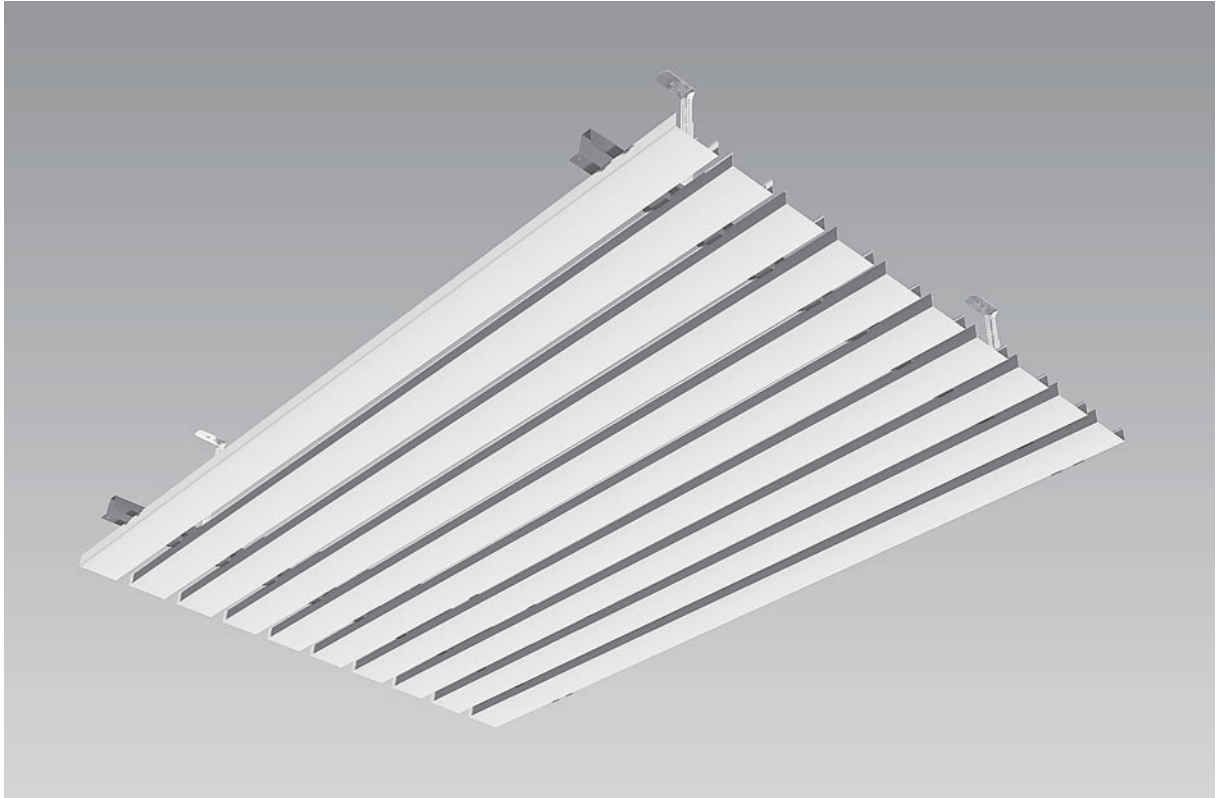
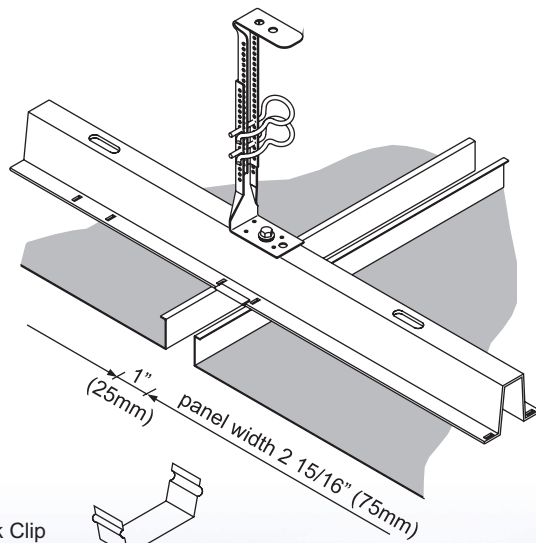


Fig. 151 Compression-resistant suspension point
Removable clips in the joints prevent the panels from being released when impacted



Black Clip

k5644

- In accordance with DIN 18032 and ASTM-norms
- With additional measures this design will also meet special-purpose requirements for:
 - Outdoor ceilings
 - Gymnasiums
 - Structurally stressed systems, such as subway stations and underground parking garages
- Panel width 2 15/16" (75mm)
Module 3 15/16" (100mm)
- Unperforated
- Panels and carriers made of galvanized steel
- Certified system including substructure

Subject to change without notice.

This document is intellectual property of Amstorf based Lindner-Holding KGaA. It may neither be duplicated, exploited for profit, distributed for business purposes nor shown to any third parties without our approval. Please note that all details, schemes, pictures and dimensions shown in this catalogue are without commitment and might vary due to final project requirements. Especially all figures shown in inch are rough dimensions only. Our O&M manuals, Installation Recommendations, Product Data Sheet, etc. and the installation of Lindner products are exclusively foreseen for persons with special metal ceiling knowledge. For safety reasons all others are not allowed to use Lindner's products. Lindner ceilings must be installed as a complete system. Missing, wrong or by other products substituted components, additional loads by services for e.g. luminaires and anchors not approved by Lindner can cause failure of the complete ceiling system. Lindner ceilings are high-quality products for the interior only. All in our documents mentioned performances are subject to correct installation according to our company's manuals and Standard Terms and Conditions.