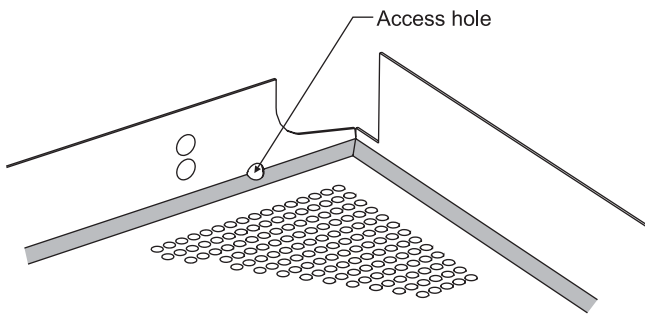


## LMD-K 420 Clip-In/Fold-Down

Fig. 101



Fig. 102 Metal cassette panel, Type K3 with bevel and access hole



Access hole:

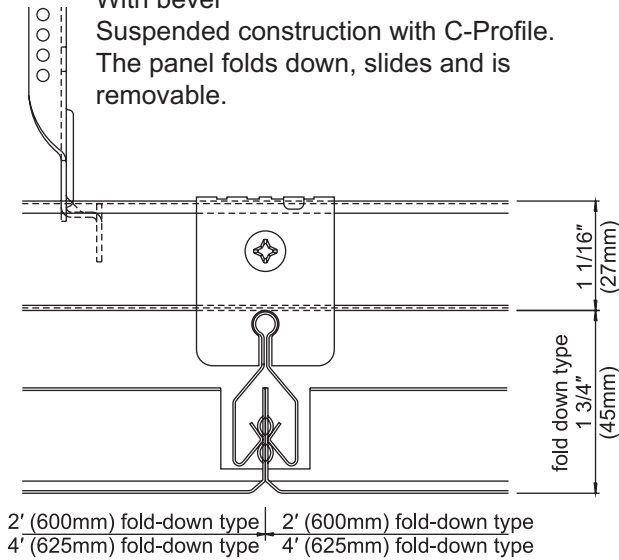
All Clip-In cassette panels (K3, K4, K6, K7, K8, K15) are available with a drilled hole for the service hook to fold down the panel

k11568

*Subject to change without notice.*

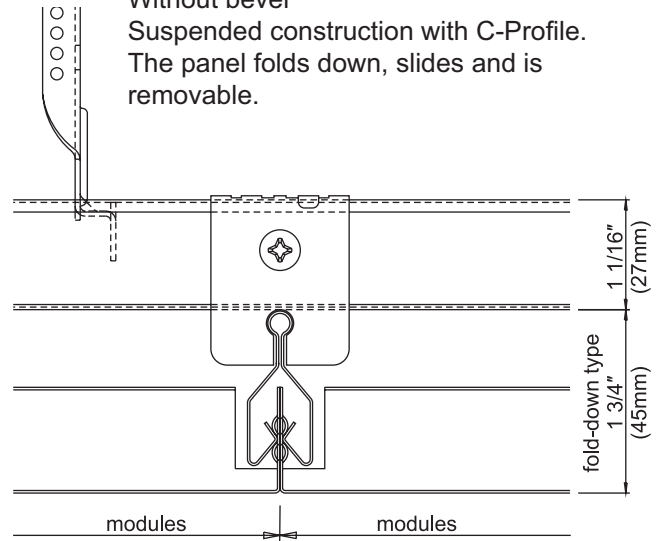
This document is intellectual property of Arnstorf based Lindner-Holding KGaA. It may neither be duplicated, exploited for profit, distributed for business purposes nor shown to any third parties without our approval. Please note that all details, schemes, pictures and dimensions shown in this catalogue are without commitment and might vary due to final project requirements. Especially all figures shown in inch are rough dimensions only. Our O&M manuals, Installation Recommendations, Product Data Sheet, etc. and the installation of Lindner products are exclusively foreseen for persons with special metal ceiling knowledge. For safety reasons all others are not allowed to use Lindner's products. Lindner ceilings must be installed as a complete system. Missing, wrong or by other products substituted components, additional loads by services for e.g. luminaries and anchors not approved by Lindner can cause failure of the complete ceiling system. Lindner ceilings are high-quality products for the interior only. All in our documents mentioned performances are subject to correct installation according to our company's manuals and Standard Terms and Conditions.

**Fig. 103 Metal cassette panel, Type K3**  
With bevel  
Suspended construction with C-Profile.  
The panel folds down, slides and is removable.



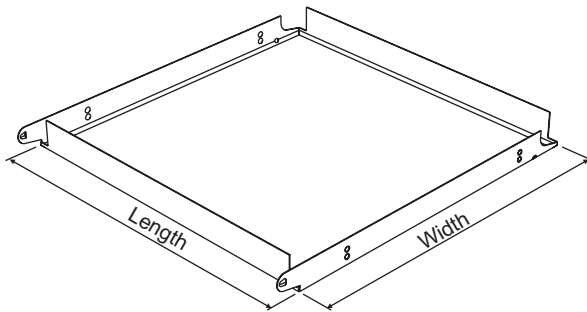
k5572

**Fig. 104 Metal cassette panel, Types K6 and K7**  
Without bevel  
Suspended construction with C-Profile.  
The panel folds down, slides and is removable.



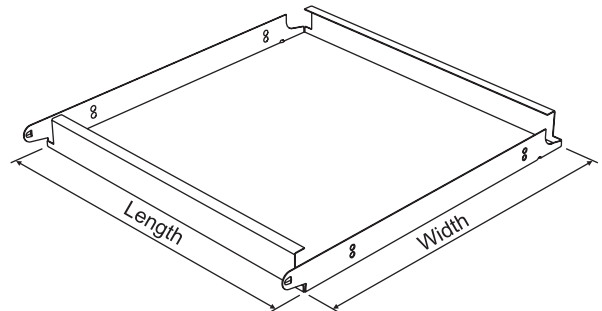
k5572

**Fig. 105 Metal cassette panel, Type K3**  
With bevel



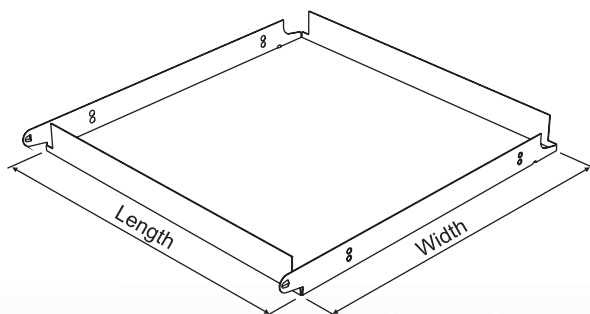
k17203

**Fig. 106 Metal cassette panel, Type K6**  
Without bevel



k17203

**Fig. 107 Metal cassette panel, Type K7**  
With bevel



k17203

Types K3, K6 and K7:

- Standard Modules:  
2' x 2', 4' x 4'  
600 x 600 mm and 625 x 625 mm
- Other panel dimensions on request
- With bevel (K3) or without bevel (K6, K7) available
- Unperforated or perforated,  
for perforation options see page A61
- Special perforations on request
- Access hole on request

*Subject to change without notice.*

This document is intellectual property of Amstorf based Lindner-Holding KGaA. It may neither be duplicated, exploited for profit, distributed for business purposes nor shown to any third parties without our approval. Please note that all details, schemes, pictures and dimensions shown in this catalogue are without commitment and might vary due to final project requirements. Especially all figures shown in inch are rough dimensions only. Our O&M manuals, Installation Recommendations, Product Data Sheet, etc. and the installation of Lindner products are exclusively foreseen for persons with special metal ceiling knowledge. For safety reasons all others are not allowed to use Lindner's products. Lindner ceilings must be installed as a complete system. Missing, wrong or by other products substituted components, additional loads by services for e.g. luminaires and anchors not approved by Lindner can cause failure of the complete ceiling system. Lindner ceilings are high-quality products for the interior only. All in our documents mentioned performances are subject to correct installation according to our company's manuals and Standard Terms and Conditions.