

## LMD-K 410 Clip-In

Fig. 96

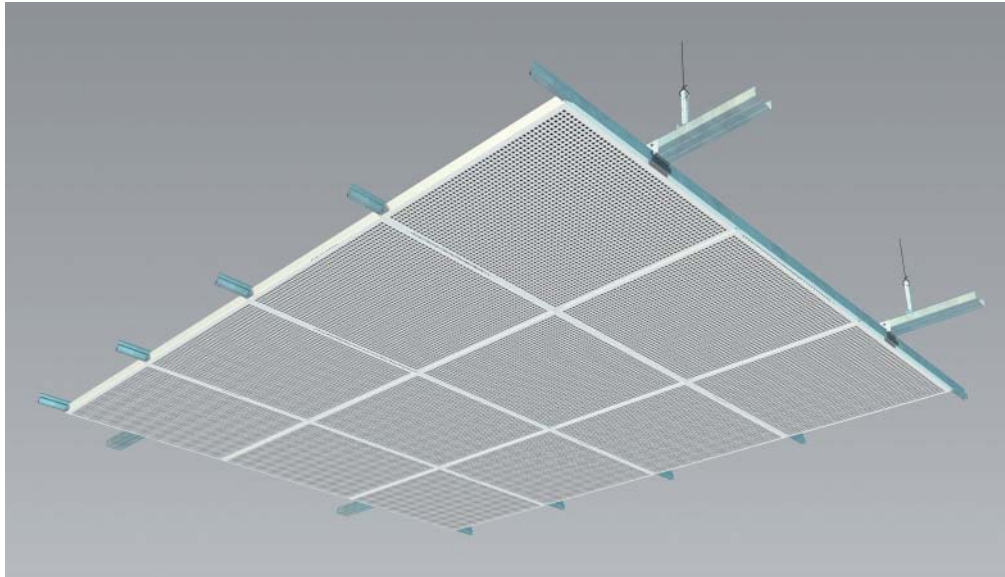


Fig. 97 Cassette panel Type K4

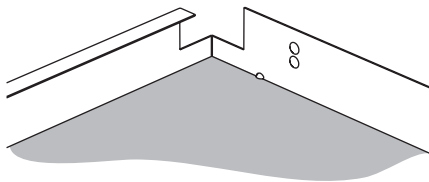


Fig. 97a Cassette panel Type K8

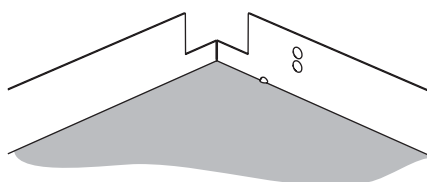
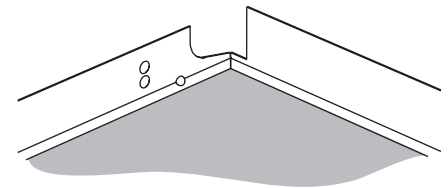


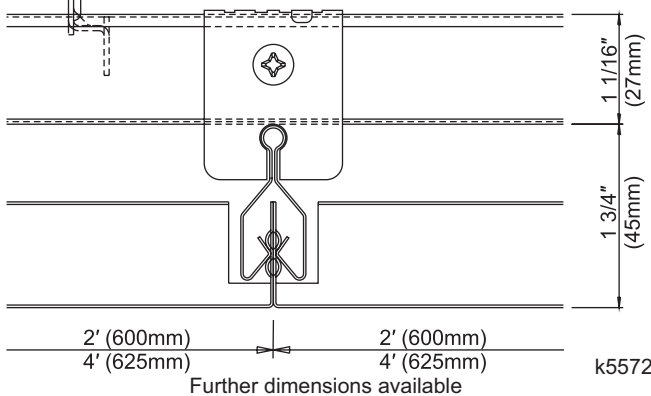
Fig. 98 Cassette panel Type K15 with bevel



k17203

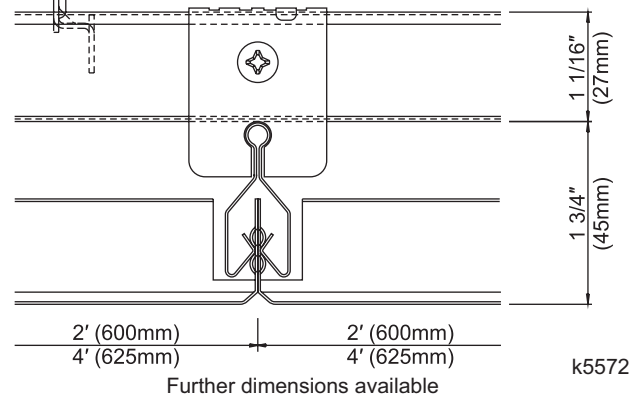
k22992

Fig. 99 Metal cassette panel, Types K4 and K8  
Without bevel  
Suspended construction with C-Profile,  
Removable panel



k5572

Fig. 100 Metal cassette panels, Type K15  
With bevel  
Suspended construction with C-Profile,  
Removable panel



k5572

### Types K4, K8 and K15:

- Standard Modules: 2'x2', 4'x4', 600x600mm, 625x625mm
- Other panel dimensions available
- With bevel (K15) or without bevel (K4, K8) available

- Unperforated or perforated, for various perforations see page A61
- Special perforations available
- Access hole on request

*Subject to change without notice.*

This document is intellectual property of Amstorf based Lindner-Holding KGaA. It may neither be duplicated, exploited for profit, distributed for business purposes nor shown to any third parties without our approval. Please note that all details, schemes, pictures and dimensions shown in this catalogue are without commitment and might vary due to final project requirements. Especially all figures shown in inch are rough dimensions only. Our O&M manuals, Installation Recommendations, Product Data Sheet, etc. and the installation of Lindner products are exclusively foreseen for persons with special metal ceiling knowledge. For safety reasons all others are not allowed to use Lindner's products. Lindner ceilings must be installed as a complete system. Missing, wrong or by other products substituted components, additional loads by services for e.g. luminaires and anchors not approved by Lindner can cause failure of the complete ceiling system. Lindner ceilings are high-quality products for the interior only. All in our documents mentioned performances are subject to correct installation according to our company's manuals and Standard Terms and Conditions.