

LMD-K Cassette Ceiling

LMD-K 400 Lay-In

Fig. 82

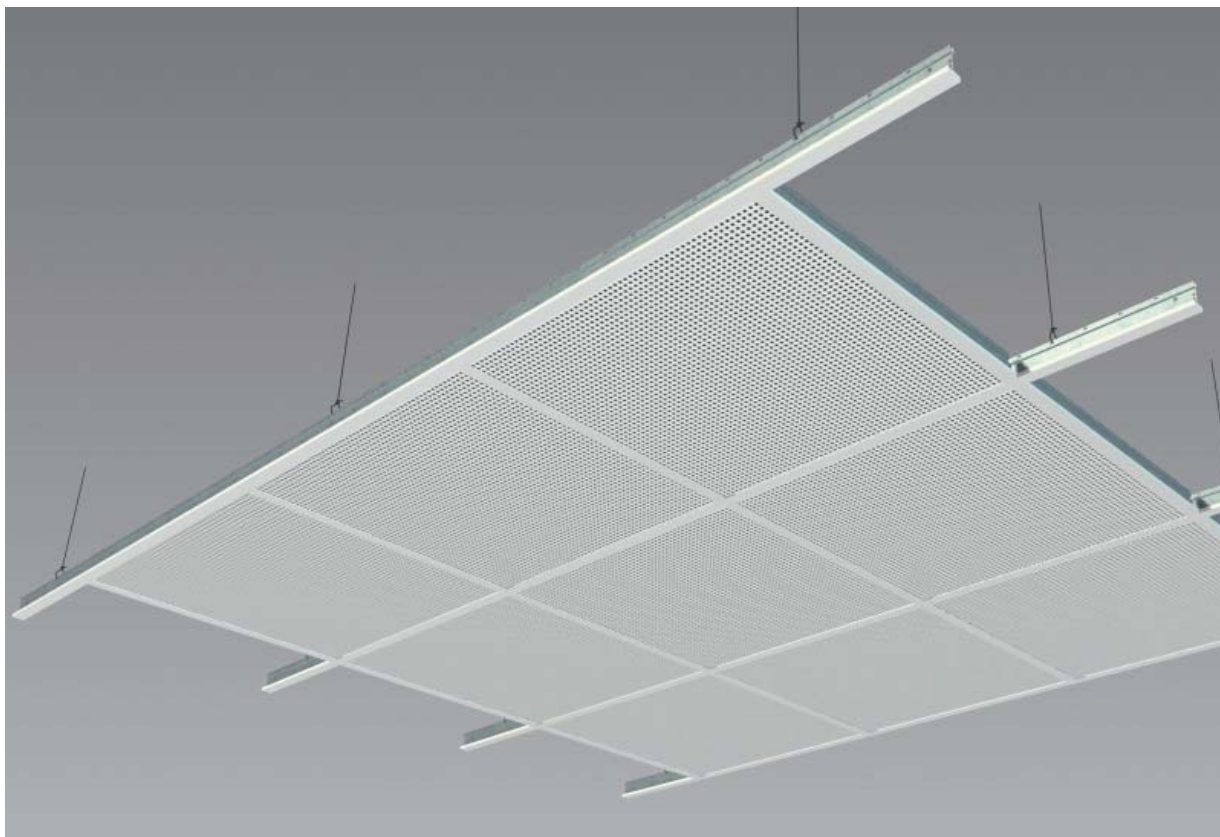
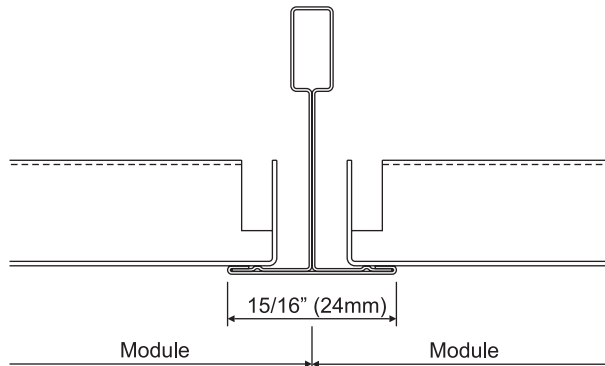
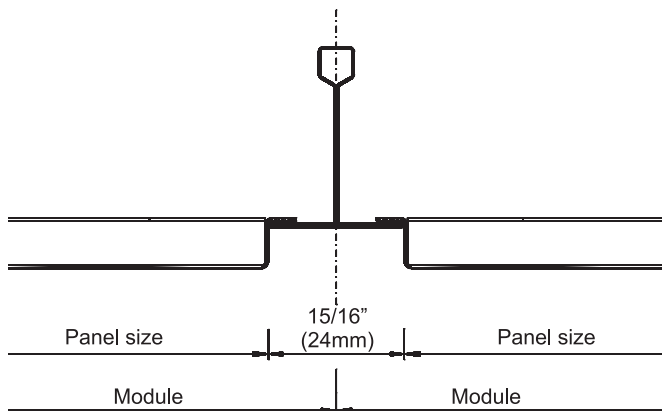


Fig. 83a Metal cassette panel, Type K10 with 15/16" (24mm) T-Profile

Fig. 84 Metal cassette panel, Type K9 with 15/16" (24mm) T-Profile



k31730

k5618

Subject to change without notice.

This document is intellectual property of Arnstorf based Lindner-Holding KGaA. It may neither be duplicated, exploited for profit, distributed for business purposes nor shown to any third parties without our approval. Please note that all details, schemes, pictures and dimensions shown in this catalogue are without commitment and might vary due to final project requirements. Especially all figures shown in inch are rough dimensions only. Our O&M manuals, Installation Recommendations, Product Data Sheet, etc. and the installation of Lindner products are exclusively foreseen for persons with special metal ceiling knowledge. For safety reasons all others are not allowed to use Lindner's products. Lindner ceilings must be installed as a complete system. Missing, wrong or by other products substituted components, additional loads by services for e.g. luminaries and anchors not approved by Lindner can cause failure of the complete ceiling system. Lindner ceilings are high-quality products for the interior only. All in our documents mentioned performances are subject to correct installation according to our company's manuals and Standard Terms and Conditions.

Fig. 85 Metal cassette panel, Type K1 with 15/16" (24mm) T-Profile

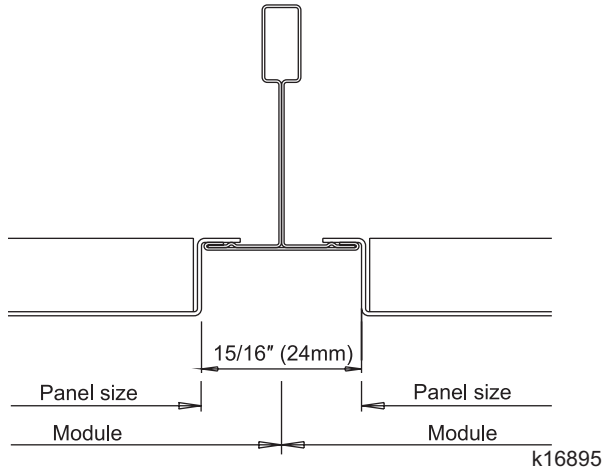


Fig. 86 Metal cassette panel, Type K10 with 9/16" (15mm) T-Profile

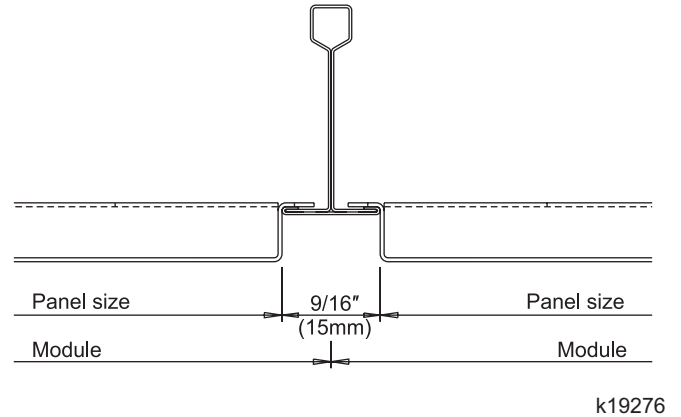


Fig. 87 Metal cassette panel, Type K10 with special profile

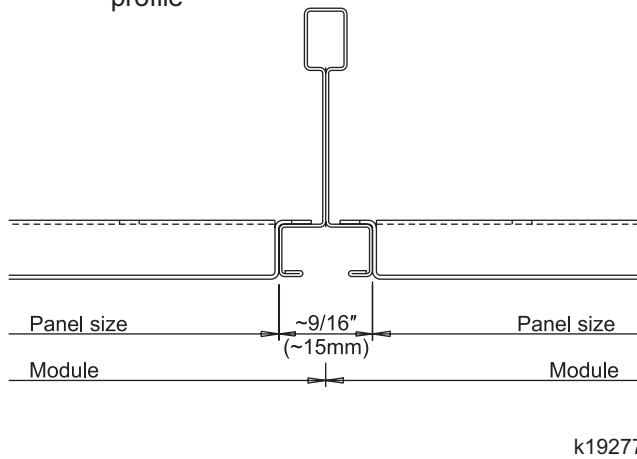


Fig. 88 Metal cassette panel, Type K11 with special profile

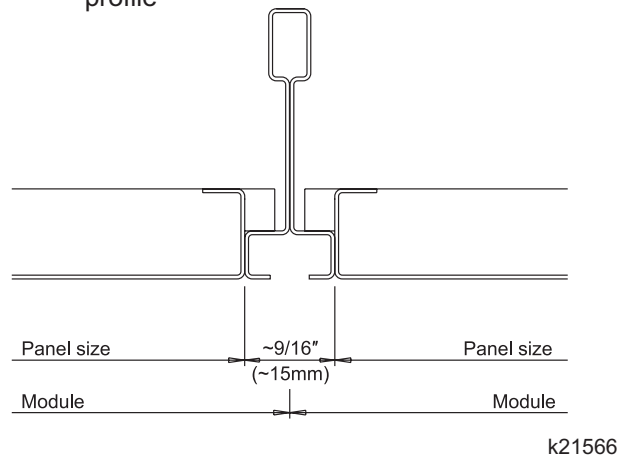


Fig. 89 Metal cassette panel, Type K10 with special profile, height 5/16" (8mm)

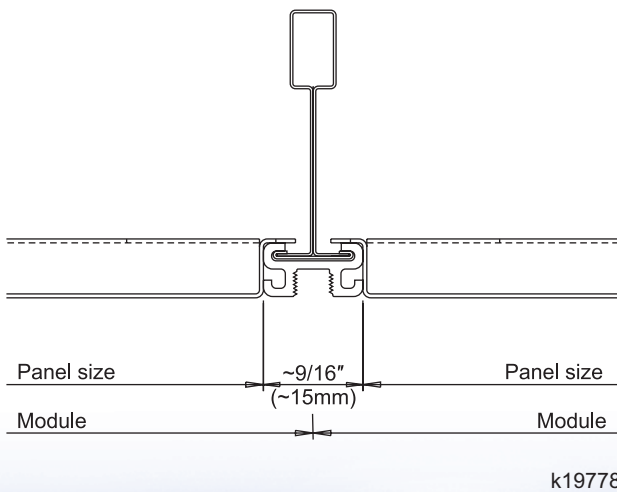
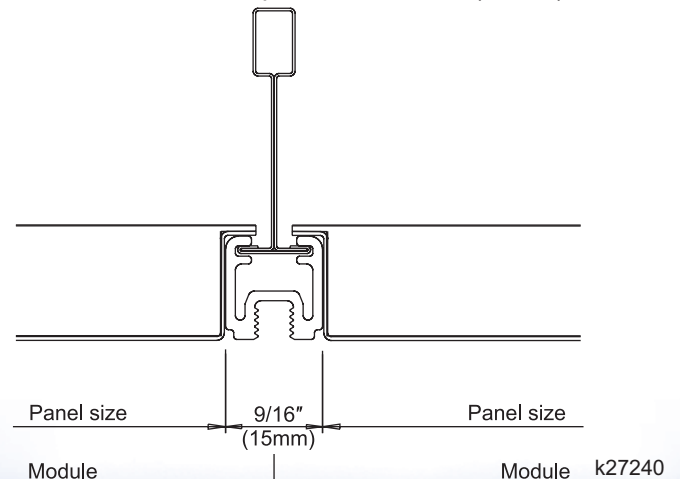


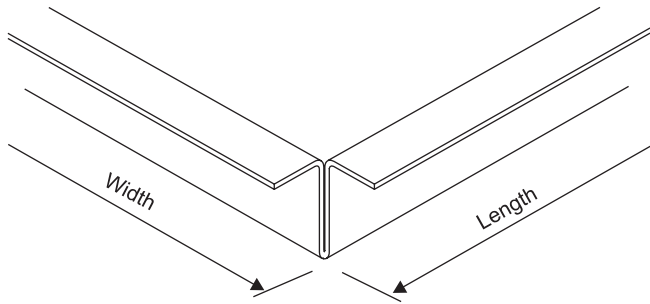
Fig. 90 Metal cassette panel, Type K10 with special profile, height 5/8" (16mm) alternative profile width of 1" (26mm)



This document is intellectual property of Amstorf based Lindner-Holding KGaA. It may neither be duplicated, exploited for profit, distributed for business purposes nor shown to any third parties without our approval. Please note that all details, schemes, pictures and dimensions shown in this catalogue are without commitment and might vary due to final project requirements. Especially all figures shown in inch are rough dimensions only. Our O&M manuals, Installation Recommendations, Product Data Sheet, etc. and the installation of Lindner products are exclusively foreseen for persons with special metal ceiling knowledge. For safety reasons all others are not allowed to use Lindner's products. Lindner ceilings must be installed as a complete system. Missing, wrong or by other products substituted components, additional loads by services for e.g. luminaires and anchors not approved by Lindner can cause failure of the complete ceiling system. Lindner ceilings are high-quality products for the interior only. All in our documents mentioned performances are subject to correct installation according to our company's manuals and Standard Terms and Conditions.

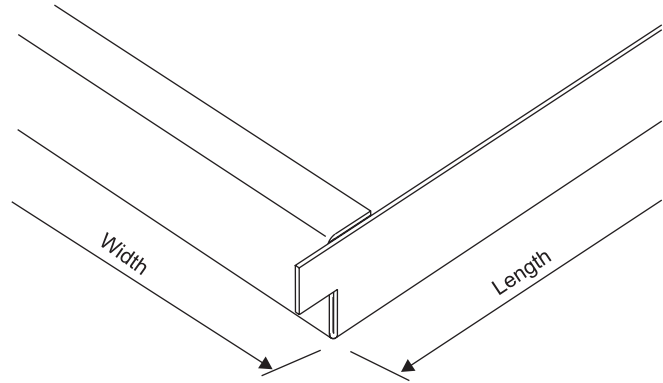
Standard Cassette Panels

Fig. 91 Cassette panel, Type K1



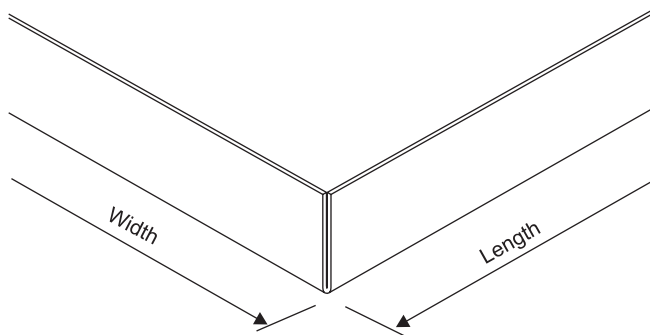
k17203

Fig. 95 Cassette panel, Type K11



k17186

Fig. 93 Cassette panel, Type K9

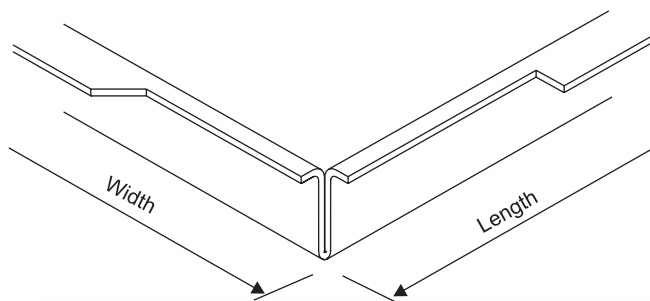


k17203

Types K1, K9 and K11:

- Standard Modules:
2' x 2', 4' x 4'
600 x 600 mm and 625 x 625 mm
- Other panel dimensions available
- Unperforated or perforated,
for perforation options see page A 61
- Special perforations available

Fig. 94 Cassette panel, Type K10



k20532

Type K10:

- Modules: 2' x 2' with 15/16" (24 mm) T-Profile or
600 x 600 mm with 9/16" (15 mm) T-Profile
- Unperforated or perforated with standard perforation
L1,8.20 or L1,6.25 or L2,5.16
- Other perforations available

Subject to change without notice.

This document is intellectual property of Arnstorf based Lindner-Holding KGaA. It may neither be duplicated, exploited for profit, distributed for business purposes nor shown to any third parties without our approval. Please note that all details, schemes, pictures and dimensions shown in this catalogue are without commitment and might vary due to final project requirements. Especially all figures shown in inch are rough dimensions only. Our O&M manuals, Installation Recommendations, Product Data Sheet, etc. and the installation of Lindner products are exclusively foreseen for persons with special metal ceiling knowledge. For safety reasons all others are not allowed to use Lindner's products. Lindner ceilings must be installed as a complete system. Missing, wrong or by other products substituted components, additional loads by services for e.g. luminaries and anchors not approved by Lindner can cause failure of the complete ceiling system. Lindner ceilings are high-quality products for the interior only. All in our documents mentioned performances are subject to correct installation according to our company's manuals and Standard Terms and Conditions.