

## LMD-E Hook-On Ceiling

## LMD-E 340 Drop & Slide

Fig. 74 LKH, Hartberg



Fig. 75a SemCrude, Houston, TX



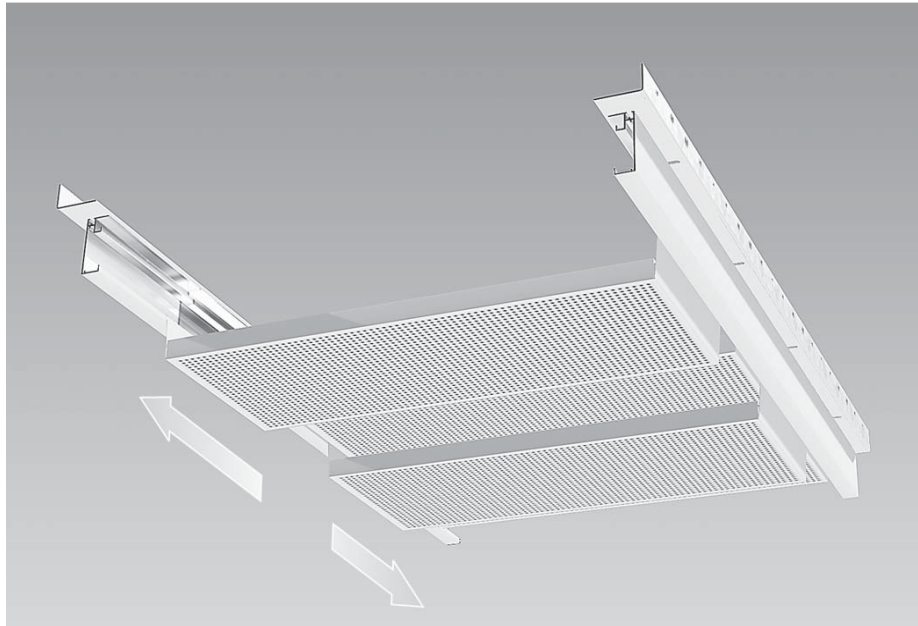
- Perimeter profiles and grid made of aluminum; also available in steel
- Ceiling panel drops down and slides horizontally
- Simple "one-man" operation without tools for inspection purposes
- After dropping down, several ceiling panels can slide in either direction → huge access area
- No risk of damage to the ceiling panels after opening the ceiling
- No risk of injury to installers and owner by dangling ceiling panels when open
- Tolerances can be compensated at wall connections
- Panel length up to 120" (3048 mm)  
Panel width up to 30" (762 mm)
- Also available for seismic areas

### This system is a patented and registered design

*Subject to change without notice.*

This document is intellectual property of Arnstorf based Lindner-Holding KGaA. It may neither be duplicated, exploited for profit, distributed for business purposes nor shown to any third parties without our approval. Please note that all details, schemes, pictures and dimensions shown in this catalogue are without commitment and might vary due to final project requirements. Especially all figures shown in inch are rough dimensions only. Our O&M manuals, Installation Recommendations, Product Data Sheet, etc. and the installation of Lindner products are exclusively foreseen for persons with special metal ceiling knowledge. For safety reasons all others are not allowed to use Lindner's products. Lindner ceilings must be installed as a complete system. Missing, wrong or by other products substituted components, additional loads by services for e.g. luminaries and anchors not approved by Lindner can cause failure of the complete ceiling system. Lindner ceilings are high-quality products for the interior only. All in our documents mentioned performances are subject to correct installation according to our company's manuals and Standard Terms and Conditions.

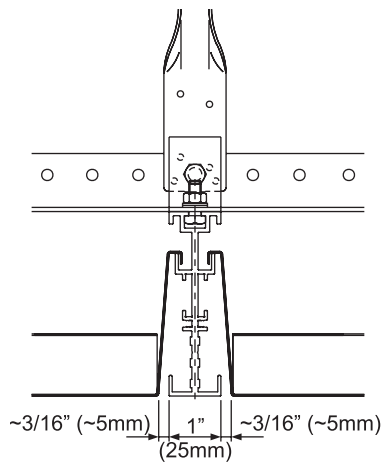
Fig. 76



### Opening the metal ceiling

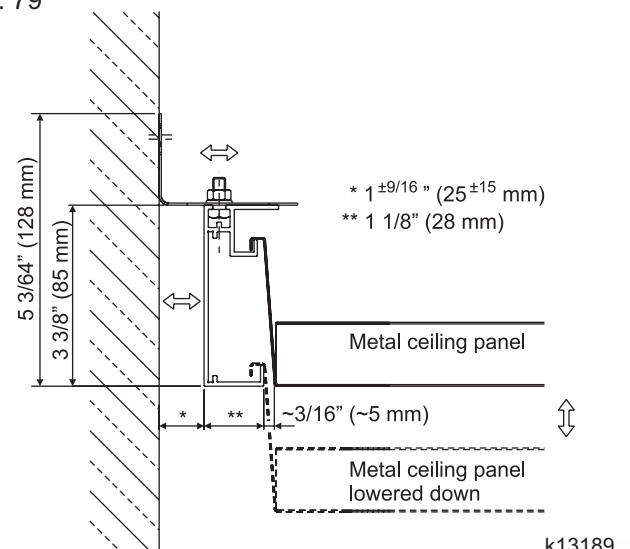
- The metal ceiling panel has to be lifted slightly, to release it out of the upper rail
- The ceiling panel drops into the lower rail, where it is securely held
- It is then possible to slide the ceiling panel easily in the direction of the corridor

Fig. 78 Detail of corridor extension



k19280

Fig. 79



k13189

With official certification acc. to "MLAR" ["Sample Directive on Fireproofing Requirements for Line Systems"], March 2000 version

*Subject to change without notice.*  
 This document is intellectual property of Amstorf based Lindner-Holding KGaA. It may neither be duplicated, exploited for profit, distributed for business purposes nor shown to any third parties without our approval. Please note that all details, schemes, pictures and dimensions shown in this catalogue are without commitment and might vary due to final project requirements. Especially all figures shown in inch are rough dimensions only. Our O&M manuals, Installation Recommendations, Product Data Sheet, etc. and the installation of Lindner products are exclusively foreseen for persons with special metal ceiling knowledge. For safety reasons all others are not allowed to use Lindner's products. Lindner ceilings must be installed as a complete system. Missing, wrong or by other products substituted components, additional loads by services for e.g. luminaires and anchors not approved by Lindner can cause failure of the complete ceiling system. Lindner ceilings are high-quality products for the interior only. All in our documents mentioned performances are subject to correct installation according to our company's manuals and Standard Terms and Conditions.