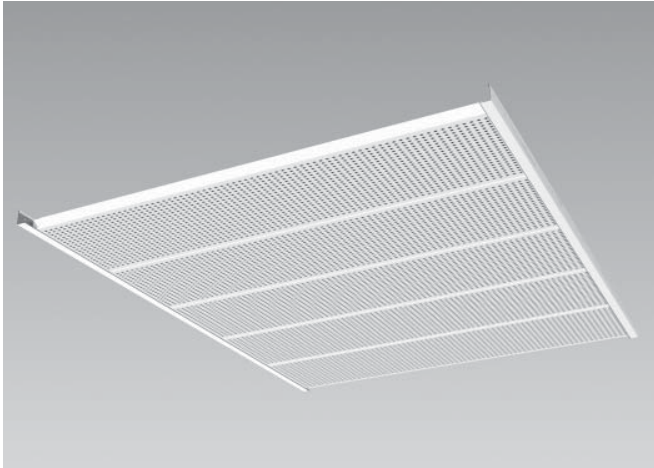


LMD-E Hook-On Ceiling

LMD-E 300 Corridor Lay-In

Fig. 66



- Metal ceiling panel, spanned from wall to wall
- Spans up to 10' (3084 mm)

Fig. 67 Shadow gap trim

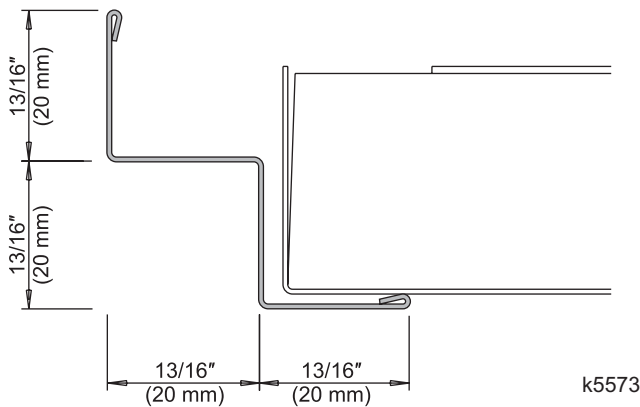
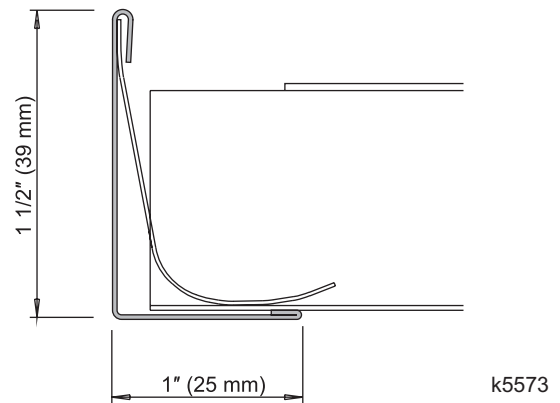


Fig. 68 L-trim



LMD-E 310 Corridor Hook-On

LMD-E 311 Corridor Fold-Down & Slide

Fig. 69

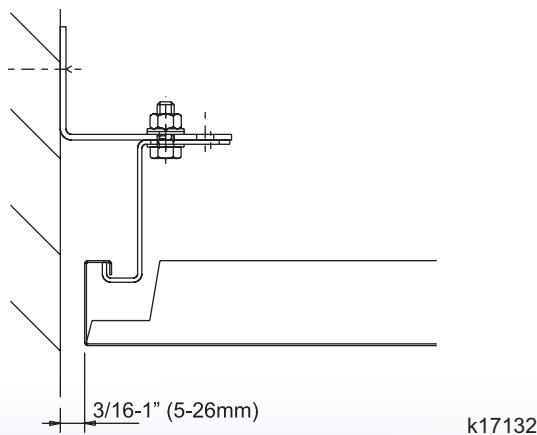
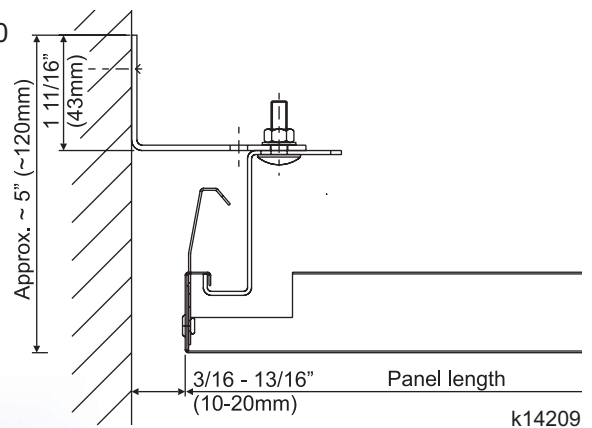


Fig. 70



With official certification acc. to "MLAR" ["Sample Directive on Fireproofing Requirements for Line Systems"], March 2000 version

Subject to change without notice.

This document is intellectual property of Amstorf based Lindner-Holding KGaA. It may neither be duplicated, exploited for profit, distributed for business purposes nor shown to any third parties without our approval. Please note that all details, schemes, pictures and dimensions shown in this catalogue are without commitment and might vary due to final project requirements. Especially all figures shown in inch are rough dimensions only. Our O&M manuals, Installation Recommendations, Product Data Sheet, etc. and the installation of Lindner products are exclusively foreseen for persons with special metal ceiling knowledge. For safety reasons all others are not allowed to use Lindner's products. Lindner ceilings must be installed as a complete system. Missing, wrong or by other products substituted components, additional loads by services for e.g. luminaries and anchors not approved by Lindner can cause failure of the complete ceiling system. Lindner ceilings are high-quality products for the interior only. All in our documents mentioned performances are subject to correct installation according to our company's manuals and Standard Terms and Conditions.