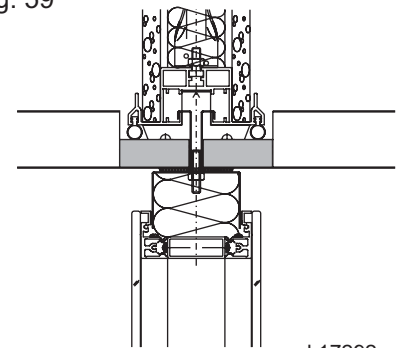


LMD-E 205 Partitions

Fig. 58 Sony, Berlin



Fig. 59



k17292

Fig. 60 Metal ceiling with recessed light fixture and fully glazed partition



- Joint width: ~ 1/4" (7 mm)
Other joint widths available
- Fastening of moveable partition wall at the joint
- Longitudinal sound reduction up to $D_{n,f,w,P} = 44$ dB

This system is a protected and registered design

Subject to change without notice.

This document is intellectual property of Arnstorf based Lindner-Holding KGaA. It may neither be duplicated, exploited for profit, distributed for business purposes nor shown to any third parties without our approval. Please note that all details, schemes, pictures and dimensions shown in this catalogue are without commitment and might vary due to final project requirements. Especially all figures shown in inch are rough dimensions only. Our O&M manuals, Installation Recommendations, Product Data Sheet, etc. and the installation of Lindner products are exclusively foreseen for persons with special metal ceiling knowledge. For safety reasons all others are not allowed to use Lindner's products. Lindner ceilings must be installed as a complete system. Missing, wrong or by other products substituted components, additional loads by services for e.g. luminaires and anchors not approved by Lindner can cause failure of the complete ceiling system. Lindner ceilings are high-quality products for the interior only. All in our documents mentioned performances are subject to correct installation according to our company's manuals and Standard Terms and Conditions.