

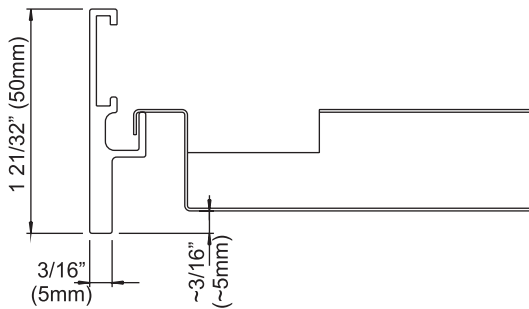
LMD-DS 310 Framed

Fig. 168 The Bank of River Oaks, Houston, TX



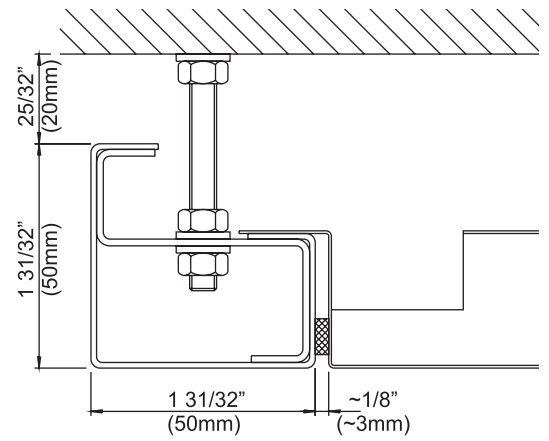
Various types of frames and suspensions are possible

Fig. 170 Version 2



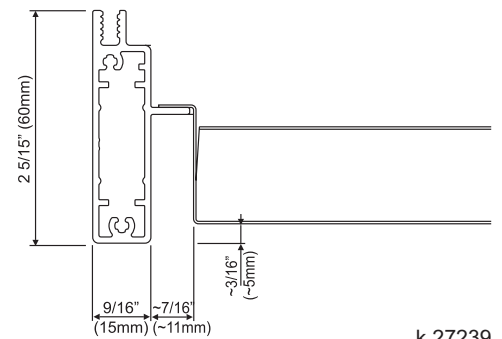
k 21490

Fig. 169 Version 1



k 21490

Fig. 171 Version 3



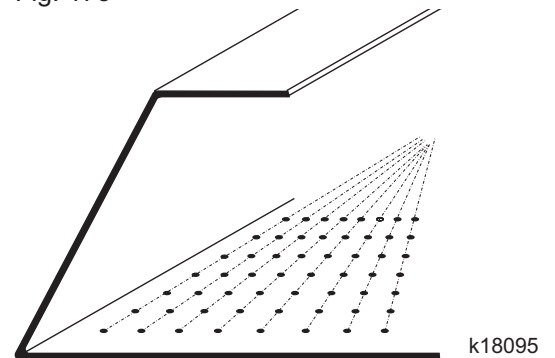
k 27239

LMD-DS 320 Sharp Edge

Fig. 172 Victoria Versicherung, Düsseldorf



Fig. 173



k18095

- With trapezoidal canopy ceilings, radial arrangement of perforation is also possible for holes $\geq \varnothing 0.197''$ (5 mm)
- Slim visual appearance provided by sloped edging at the perimeter

Subject to change without notice.

This document is intellectual property of Amstorf based Lindner-Holding KGaA. It may neither be duplicated, exploited for profit, distributed for business purposes nor shown to any third parties without our approval. Please note that all details, schemes, pictures and dimensions shown in this catalogue are without commitment and might vary due to final project requirements. Especially all figures shown in inch are rough dimensions only. Our O&M manuals, Installation Recommendations, Product Data Sheet, etc. and the installation of Lindner products are exclusively foreseen for persons with special metal ceiling knowledge. For safety reasons all others are not allowed to use Lindner's products. Lindner ceilings must be installed as a complete system. Missing, wrong or by other products substituted components, additional loads by services for e.g. luminaires and anchors not approved by Lindner can cause failure of the complete ceiling system. Lindner ceilings are high-quality products for the interior only. All in our documents mentioned performances are subject to correct installation according to our company's manuals and Standard Terms and Conditions.