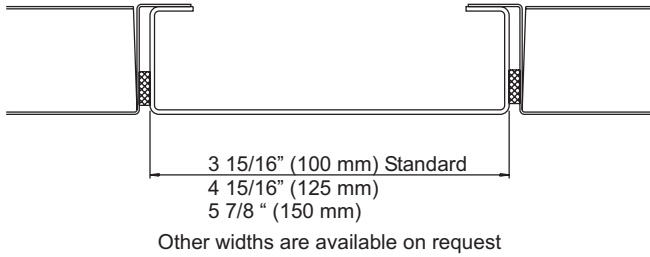


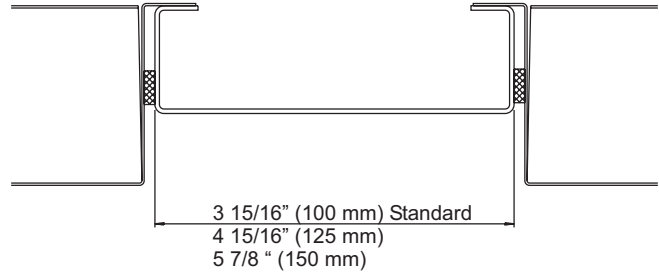
Grid Profiles

Fig. 24 Grid profile flush with metal ceiling panel



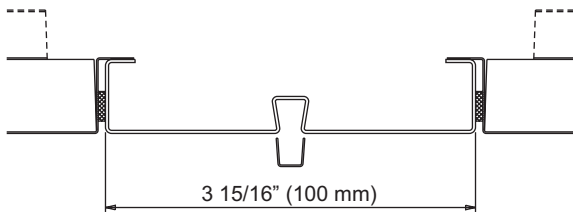
k21486

Fig. 25 Grid profile recessed of metal ceiling panel



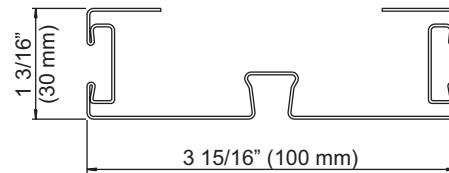
k21486

Fig. 26 Grid profile with center groove and covering profile



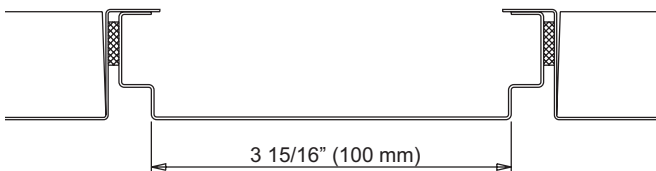
k5555

Fig. 27 Special-design lay-on type grid; combinable with fold-down ceiling panels; see LMD-B 129



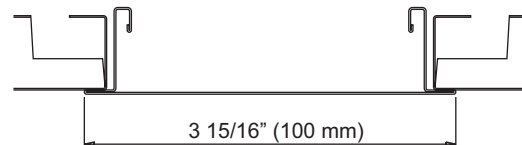
21489

Fig. 28 Grid profile with lengthwise slot, flush with metal ceiling panel



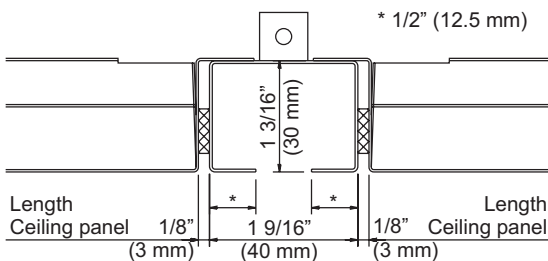
k5557

Fig. 29 Lay-on type grid



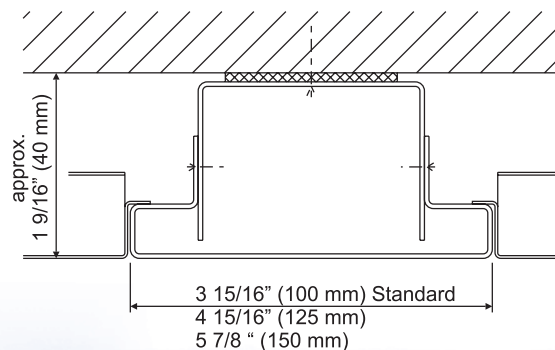
k5552

Fig. 30 Open grid to hang signs



k5558

Fig. 31 Renovation grid
→ Low suspension heights



k17882

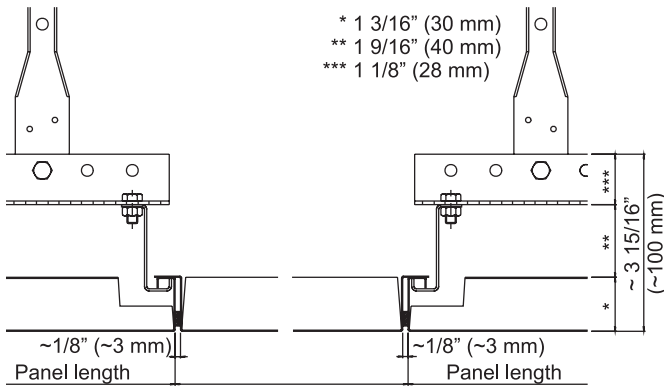
Other grid profiles are available on request!

Subject to change without notice.

This document is intellectual property of Amstorf based Lindner-Holding KGaA. It may neither be duplicated, exploited for profit, distributed for business purposes nor shown to any third parties without our approval. Please note that all details, schemes, pictures and dimensions shown in this catalogue are without commitment and might vary due to final project requirements. Especially all figures shown in inch are rough dimensions only. Our O&M manuals, Installation Recommendations, Product Data Sheet, etc. and the installation of Lindner products are exclusively foreseen for persons with special metal ceiling knowledge. For safety reasons all others are not allowed to use Lindner's products. Lindner ceilings must be installed as a complete system. Missing, wrong or by other products substituted components, additional loads by services for e.g. luminaires and anchors not approved by Lindner can cause failure of the complete ceiling system. Lindner ceilings are high-quality products for the interior only. All in our documents mentioned performances are subject to correct installation according to our company's manuals and Standard Terms and Conditions.

Visual Grid

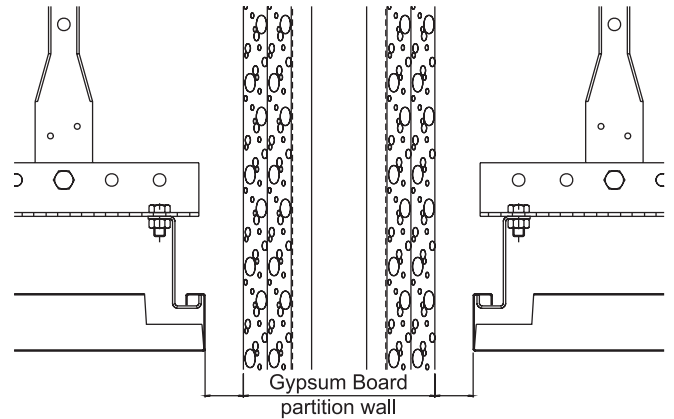
Fig. 32 Metal ceiling hooked on, with inserted grid



- design flexibility by replacing grid with partition (see Fig. 32 and 33)

k13403

Fig. 33 Metal ceiling hooked on, the partition wall runs all the way to the structural ceiling

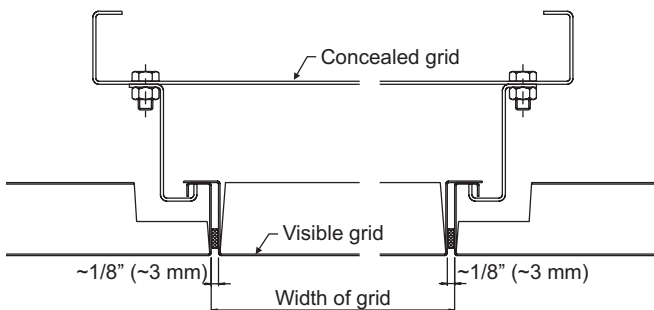


- design flexibility by replacing grid with partition (see Fig. 32 and 33)

k13404

Concealed Grid

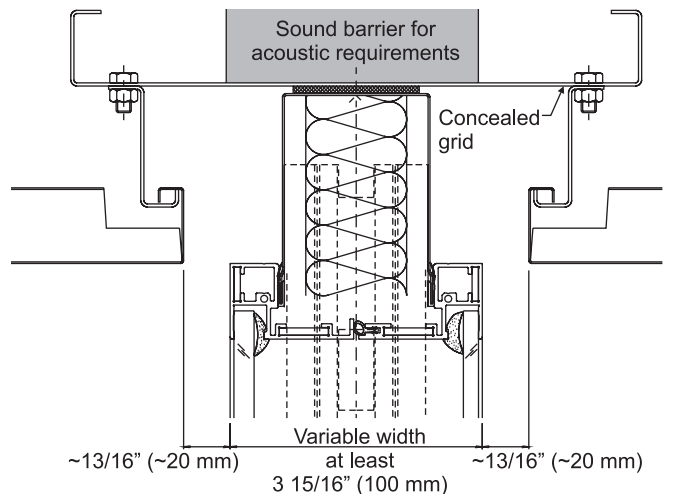
Fig. 34 Hook-On ceiling with visible and concealed grid



- design flexibility by replacing grid with partition (see Fig. 34 and 35)

k13405

Fig. 35 The visible grid has been removed; partition wall fastened on concealed grid



- design flexibility by replacing grid with partition (see Fig. 34 and 35)

k13406

Subject to change without notice.

This document is intellectual property of Amstorf based Lindner-Holding KGaA. It may neither be duplicated, exploited for profit, distributed for business purposes nor shown to any third parties without our approval. Please note that all details, schemes, pictures and dimensions shown in this catalogue are without commitment and might vary due to final project requirements. Especially all figures shown in inch are rough dimensions only. Our O&M manuals, Installation Recommendations, Product Data Sheet, etc. and the installation of Lindner products are exclusively foreseen for persons with special metal ceiling knowledge. For safety reasons all others are not allowed to use Lindner's products. Lindner ceilings must be installed as a complete system. Missing, wrong or by other products substituted components, additional loads by services for e.g. luminaires and anchors not approved by Lindner can cause failure of the complete ceiling system. Lindner ceilings are high-quality products for the interior only. All in our documents mentioned performances are subject to correct installation according to our company's manuals and Standard Terms and Conditions.