

LMD-B 140 Drop & Slide

Fig. 21

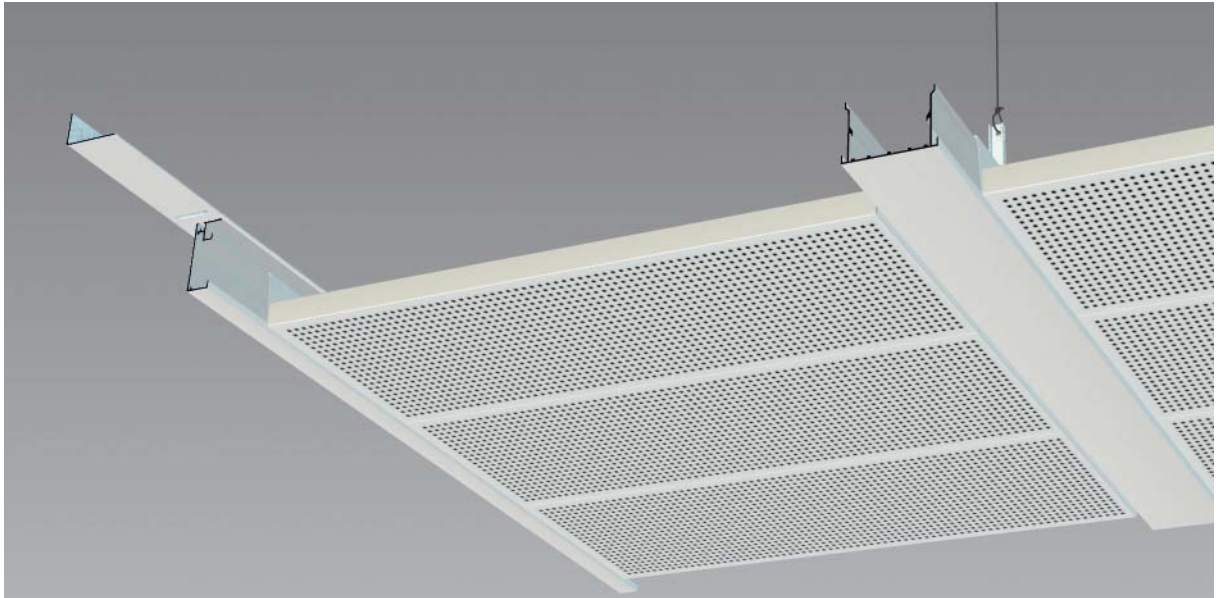


Fig. 22

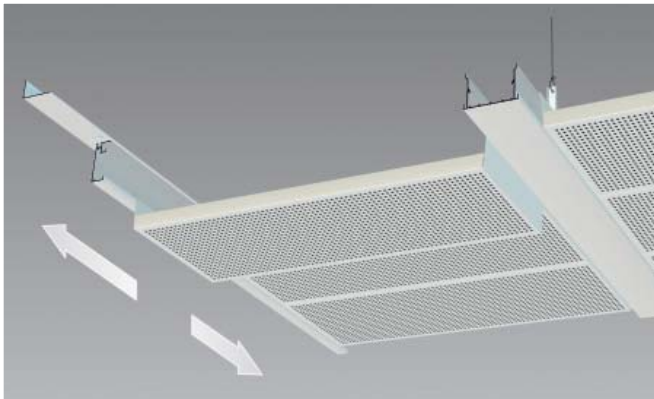
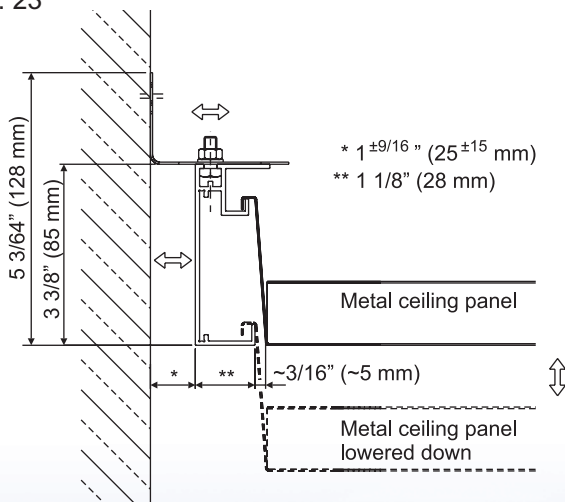


Fig. 23



k13189

- Perimeter profiles and grid made of aluminum;
- Also available in steel
- Ceiling panel drops down and slides horizontally
- Simple "one-man" operation without tools for inspection purposes
- After dropping down, several ceiling panels can slide in either direction → huge access area
- No risk of damage to the ceiling panels after opening the ceiling
- No risk of injury to installers and owner by dangling ceiling panels when open
- Tolerances can be compensated at wall connections
- Panel length up to 120" (3048 mm)
Panel width up to 30" (762 mm)

This system is a patented and registered design

Subject to change without notice.

This document is intellectual property of Amstorf based Lindner-Holding KGaA. It may neither be duplicated, exploited for profit, distributed for business purposes nor shown to any third parties without our approval. Please note that all details, schemes, pictures and dimensions shown in this catalogue are without commitment and might vary due to final project requirements. Especially all figures shown in inch are rough dimensions only. Our O&M manuals, Installation Recommendations, Product Data Sheet, etc. and the installation of Lindner products are exclusively foreseen for persons with special metal ceiling knowledge. For safety reasons all others are not allowed to use Lindner's products. Lindner ceilings must be installed as a complete system. Missing, wrong or by other products substituted components, additional loads by services for e.g. luminaires and anchors not approved by Lindner can cause failure of the complete ceiling system. Lindner ceilings are high-quality products for the interior only. All in our documents mentioned performances are subject to correct installation according to our company's manuals and Standard Terms and Conditions.