

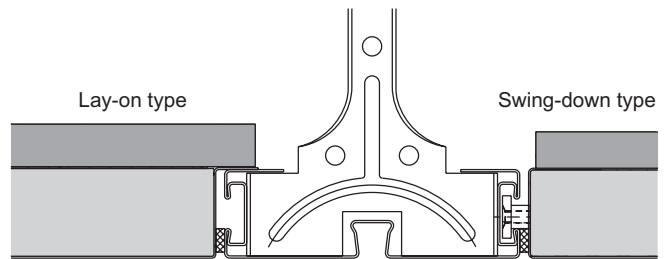
LMD-B Modular Grid Ceiling

LMD-B 129 Fold-Down Sound Reduction

Fig. 17 Coeur Défense, Paris



Fig. 18



k18214

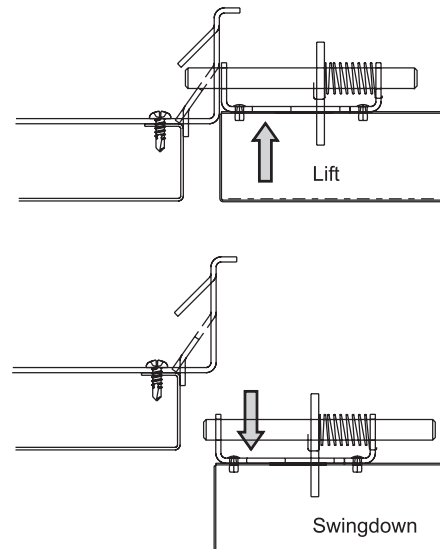
- Lay-in and fold-down type ceiling panels can be combined
- Partition wall is fixed in the groove of the grid without damaging the grid
- Available with insulation against longitudinal sound up to $D_{n,f,w,P} = 48$ dB
- The ceiling panels are operated using a special putty knife in the joints

LMD-B 135 Touch Down

Fig. 19 Main Tower, Frankfurt



Fig. 20



- Simple to operate without tools
- Open by lifting the ceiling panel
- Installation without a visible grid is also possible

Subject to change without notice.

This document is intellectual property of Arnstorf based Lindner-Holding KGaA. It may neither be duplicated, exploited for profit, distributed for business purposes nor shown to any third parties without our approval. Please note that all details, schemes, pictures and dimensions shown in this catalogue are without commitment and might vary due to final project requirements. Especially all figures shown in inch are rough dimensions only. Our O&M manuals, Installation Recommendations, Product Data Sheet, etc. and the installation of Lindner products are exclusively foreseen for persons with special metal ceiling knowledge. For safety reasons all others are not allowed to use Lindner's products. Lindner ceilings must be installed as a complete system. Missing, wrong or by other products substituted components, additional loads by services for e.g. luminaires and anchors not approved by Lindner can cause failure of the complete ceiling system. Lindner ceilings are high-quality products for the interior only. All in our documents mentioned performances are subject to correct installation according to our company's manuals and Standard Terms and Conditions.