

LMD-B 125 Fold-Down Long Side

Fig. 13

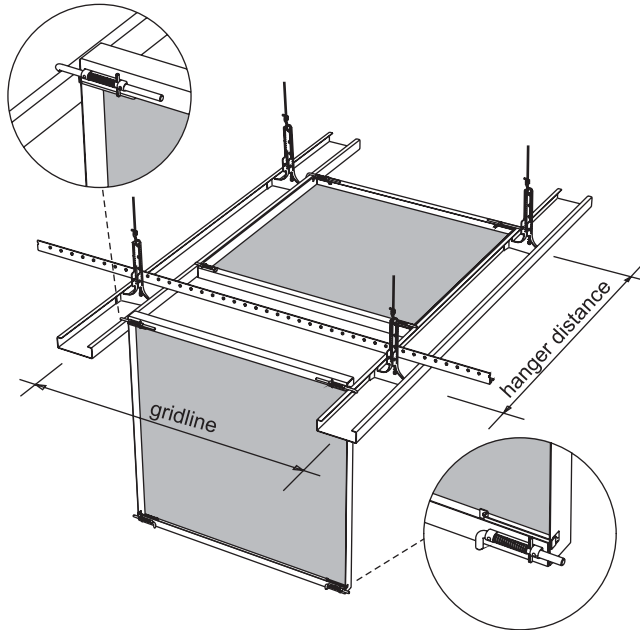


Fig. 15 Latching element, optional with locking device

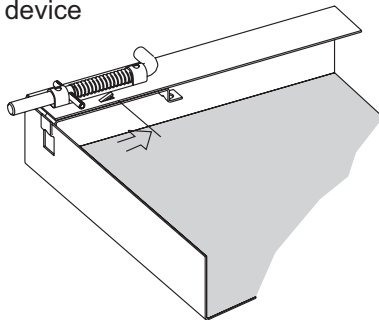
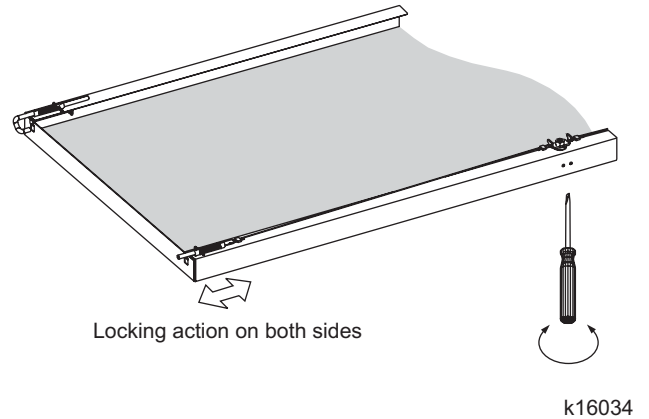


Fig. 14 Metal ceiling panels available with center operation on request



- Rigid fold-down mechanism for frequent inspection work
- The catch for the panels is released using a putty knife in the joint or by center operation
- Combination with lay-in type panels possible

The hinging and locking parts are protected as Lindner's registered designs.

LMD-B 128 Fold-Down Short Side

Fig. 16



- The suspension and latching mechanism is the same as used with LMD-B 125, but folds down along the short side
- Ideal as radiant ceiling
- The catch for the ceiling panels is released using a putty knife in the joint

The hinging and locking parts are protected as Lindner's registered designs.

Subject to change without notice.

This document is intellectual property of Amstorf based Lindner-Holding KGaA. It may neither be duplicated, exploited for profit, distributed for business purposes nor shown to any third parties without our approval. Please note that all details, schemes, pictures and dimensions shown in this catalogue are without commitment and might vary due to final project requirements. Especially all figures shown in inch are rough dimensions only. Our O&M manuals, Installation Recommendations, Product Data Sheet, etc. and the installation of Lindner products are exclusively foreseen for persons with special metal ceiling knowledge. For safety reasons all others are not allowed to use Lindner's products. Lindner ceilings must be installed as a complete system. Missing, wrong or by other products substituted components, additional loads by services for e.g. luminaires and anchors not approved by Lindner can cause failure of the complete ceiling system. Lindner ceilings are high-quality products for the interior only. All in our documents mentioned performances are subject to correct installation according to our company's manuals and Standard Terms and Conditions.