



Public School, Erding

General Description

- Cladding for walls, columns and pilasters
- Glass surface based on project requirements
- Available as flush-surface bonded double-glazing or as framed glazing
- Customized finishes

Substructure

- Concealed mounting brackets for various applications
- Type A: directly mounted to the bare wall to accommodate tolerances
- Type B: independent from bare wall

Design Considerations

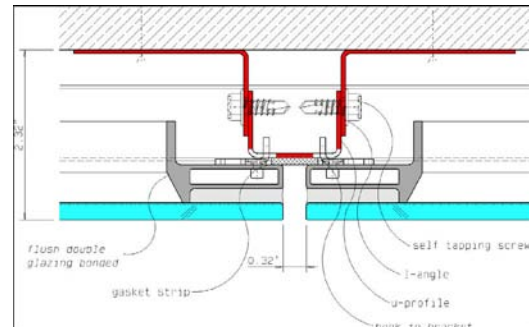
- Various vertical and horizontal joint designs
- Multiple finish options
- Screen printing and etching process possible
- Design foil application possible
- Optional with bumper rail

Technical Data

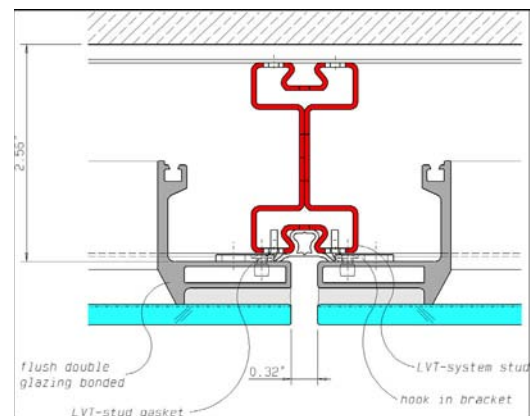
Material	Glass pane
Panel Size	Up to 4' x 9' (1220 x 2743 mm) Special sizes available depending on project requirements
Finish	Architectural safety glass
Life Cycle	Up to 30 years

We realize your design!

Type A



Type B



Subject to change without notice. This document is intellectual property of Amstorf based Lindner-Holding KGaA. It may neither be duplicated, exploited for profit, distributed for business purposes nor shown to any third parties without our approval. Please note that all details, schemes, pictures and dimensions shown in this catalogue are without commitment and might vary due to final project requirements. Especially all figures shown in inch are rough dimensions only. Our O&M manuals, Installation Recommendations, Product Data Sheets, etc. and the installation of Lindner products are exclusively foreseen for persons with special metal ceiling knowledge. For safety reasons all others are not allowed to use Lindner's products. Lindner ceilings must be installed as a complete system. Missing, wrong or by other products substituted components, additional loads by services for e.g. luminaries and anchors not approved by Lindner can cause failure of the complete ceiling system. Lindner ceilings are high-quality products for the interior only. All in our documents mentioned performances are subject to correct installation according to our company's manuals and Standard Terms and Conditions.