

LMD-TS 100 Torsion Spring

Fig. 160

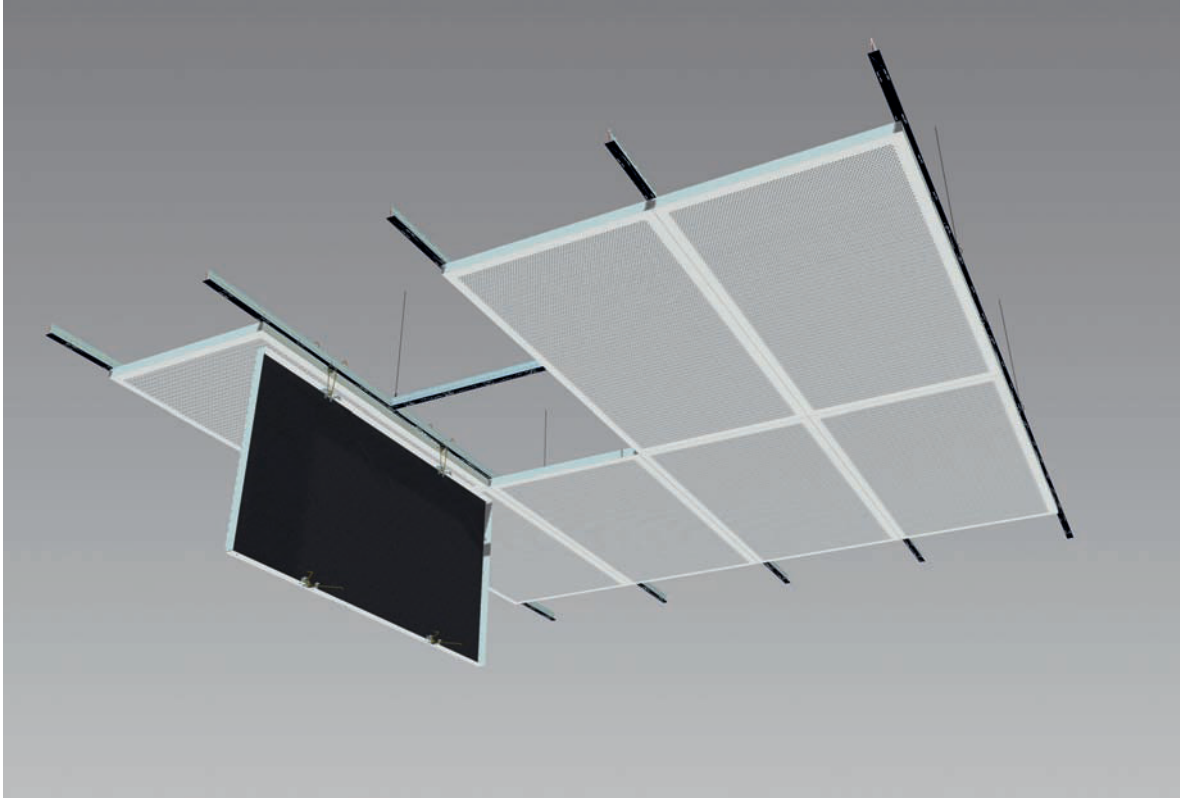
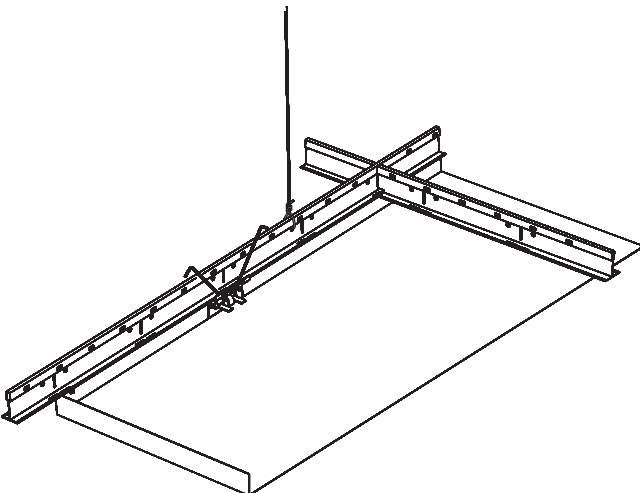


Fig. 161



- Simple and approved substructure system
- Various modules possible
- Easy assembly and disassembly
- Fold-Down system
- Suitable for wind loads, such as for outdoor ceilings and transportation system station ceilings
- Available for seismic areas
- Available as radiant ceiling

Subject to change without notice.

This document is intellectual property of Amstorf based Lindner-Holding KGaA. It may neither be duplicated, exploited for profit, distributed for business purposes nor shown to any third parties without our approval. Please note that all details, schemes, pictures and dimensions shown in this catalogue are without commitment and might vary due to final project requirements. Especially all figures shown in inch are rough dimensions only. Our O&M manuals, Installation Recommendations, Product Data Sheet, etc. and the installation of Lindner products are exclusively foreseen for persons with special metal ceiling knowledge. For safety reasons all others are not allowed to use Lindner's products. Lindner ceilings must be installed as a complete system. Missing, wrong or by other products substituted components, additional loads by services for e.g. luminaires and anchors not approved by Lindner can cause failure of the complete ceiling system. Lindner ceilings are high-quality products for the interior only. All in our documents mentioned performances are subject to correct installation according to our company's manuals and Standard Terms and Conditions.

Be sure to see the latest version of this page on our website at:
www.LindnerUSA.com or www.Lindner.ag