

## LMD-P Linear Ceiling



## LMD-P 500 Linear Aluminum

Fig. 148

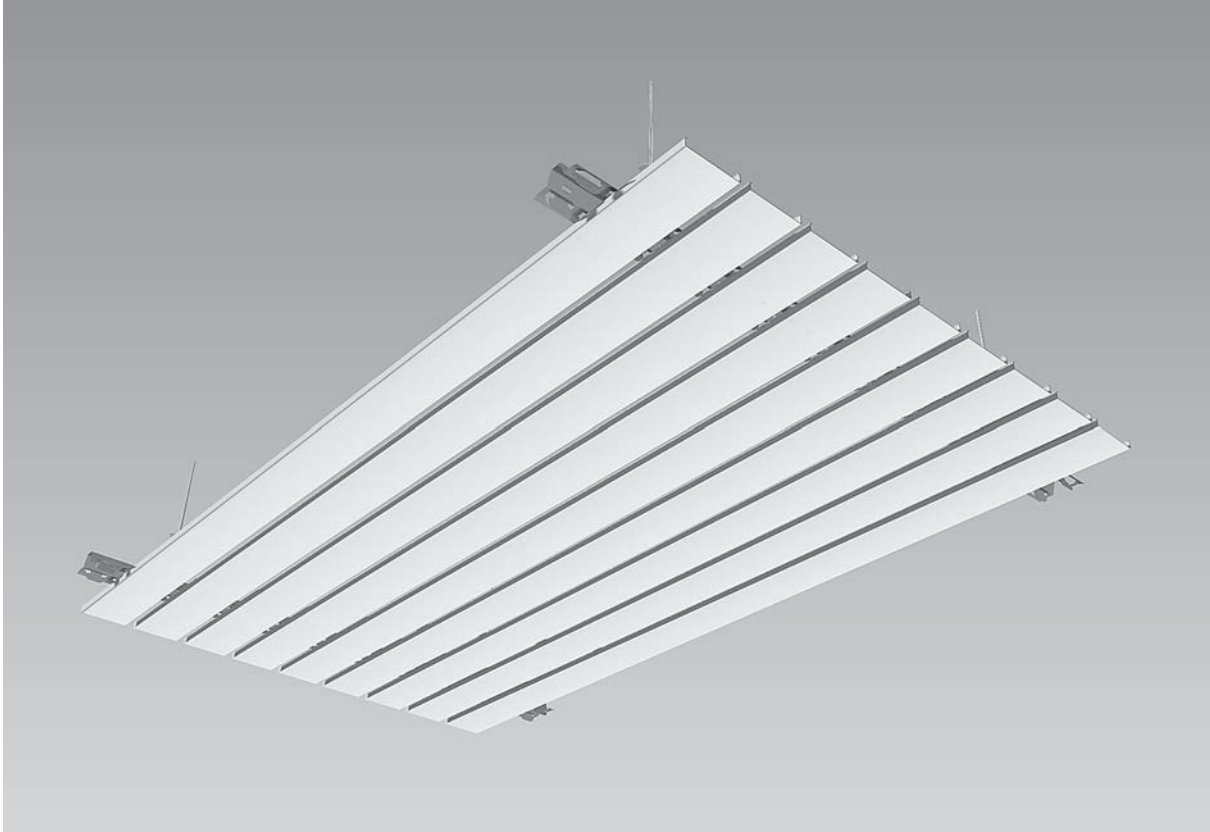
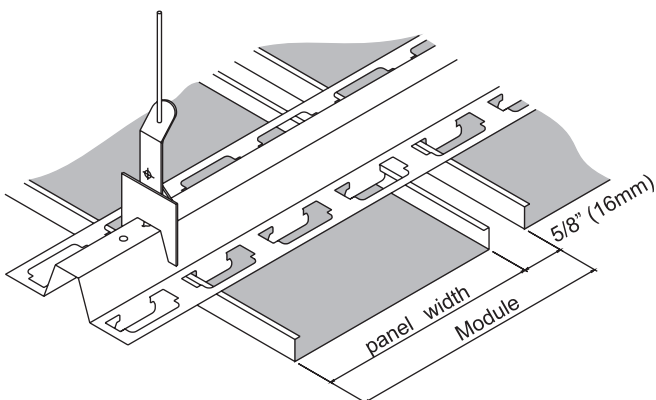


Fig. 149 Suspension point for panel carrier



The standard carrier can be used for:

- Linear panels type B and C
- Combination with different panel widths
- Infill profiles in the joints available
- Linear panel made of aluminum
- Carrier available in aluminum and steel
- Various module widths, such as:
  - Panel type B: 1 1/3", 3 5/16", 5 9/32", 7 1/4"  
(34, 84, 134, 184mm)
  - Panel type C: 3 5/16", 7 1/4"  
(84, 184mm)
- Joint width of 5/8" (16mm) each
- The panels are available unperforated or perforated

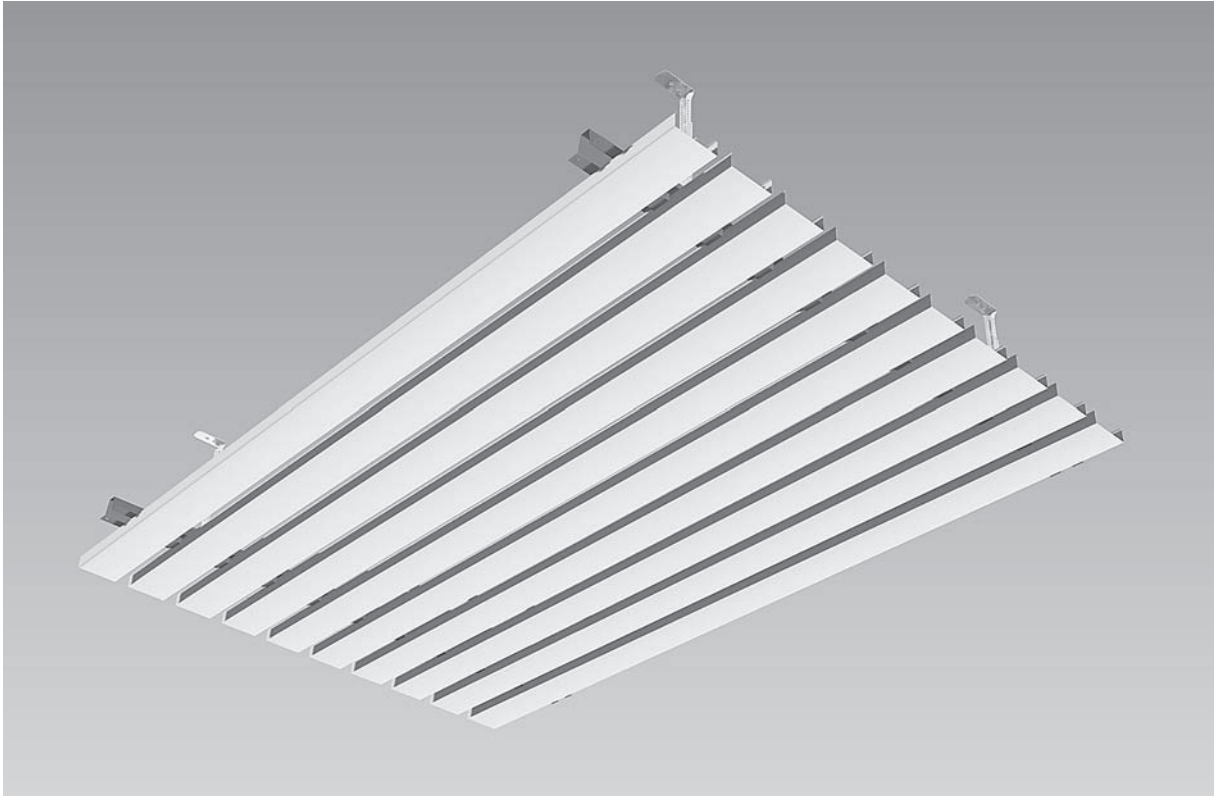
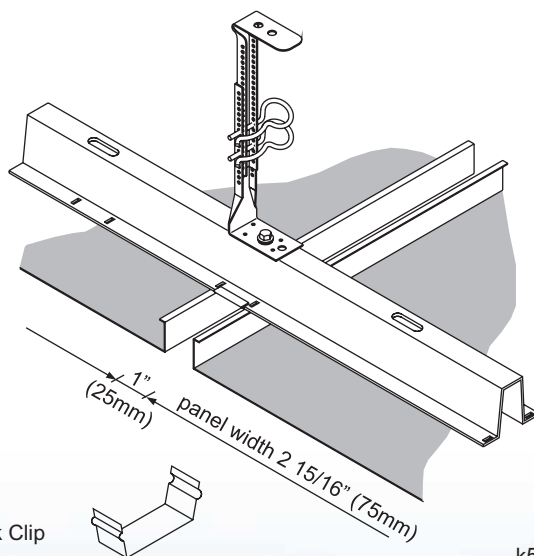
k10031

*Subject to change without notice.*

This document is intellectual property of Arnstorf based Lindner-Holding KGaA. It may neither be duplicated, exploited for profit, distributed for business purposes nor shown to any third parties without our approval. Please note that all details, schemes, pictures and dimensions shown in this catalogue are without commitment and might vary due to final project requirements. Especially all figures shown in inch are rough dimensions only. Our O&M manuals, Installation Recommendations, Product Data Sheet, etc. and the installation of Lindner products are exclusively foreseen for persons with special metal ceiling knowledge. For safety reasons all others are not allowed to use Lindner's products. Lindner ceilings must be installed as a complete system. Missing, wrong or by other products substituted components, additional loads by services for e.g. luminaires and anchors not approved by Lindner can cause failure of the complete ceiling system. Lindner ceilings are high-quality products for the interior only. All in our documents mentioned performances are subject to correct installation according to our company's manuals and Standard Terms and Conditions.

**LMD-P 510 Impact Resistant**

Fig. 150


 Fig. 151 Compression-resistant suspension point  
 Removable clips in the joints prevent the panels from being released when impacted


k5644

- In accordance with DIN 18032 and ASTM-norms
- With additional measures this design will also meet special-purpose requirements for:
  - Outdoor ceilings
  - Gymnasiums
  - Structurally stressed systems, such as subway stations and underground parking garages
- Panel width 2 15/16" (75mm)  
 Module 3 15/16" (100mm)
- Unperforated
- Panels and carriers made of galvanized steel
- Certified system including substructure

*Subject to change without notice.*

This document is intellectual property of Amstorf based Lindner-Holding KGaA. It may neither be duplicated, exploited for profit, distributed for business purposes nor shown to any third parties without our approval. Please note that all details, schemes, pictures and dimensions shown in this catalogue are without commitment and might vary due to final project requirements. Especially all figures shown in inch are rough dimensions only. Our O&M manuals, Installation Recommendations, Product Data Sheet, etc. and the installation of Lindner products are exclusively foreseen for persons with special metal ceiling knowledge. For safety reasons all others are not allowed to use Lindner's products. Lindner ceilings must be installed as a complete system. Missing, wrong or by other products substituted components, additional loads by services for e.g. luminaries and anchors not approved by Lindner can cause failure of the complete ceiling system. Lindner ceilings are high-quality products for the interior only. All in our documents mentioned performances are subject to correct installation according to our company's manuals and Standard Terms and Conditions.

Be sure to see the latest version of this page on our website at:  
[www.LindnerUSA.com](http://www.LindnerUSA.com) or [www.Lindner.ag](http://www.Lindner.ag)

## Linear Panels and Joint Designs

Fig. 152 LMD-P 500 panel type B  
Standard panel

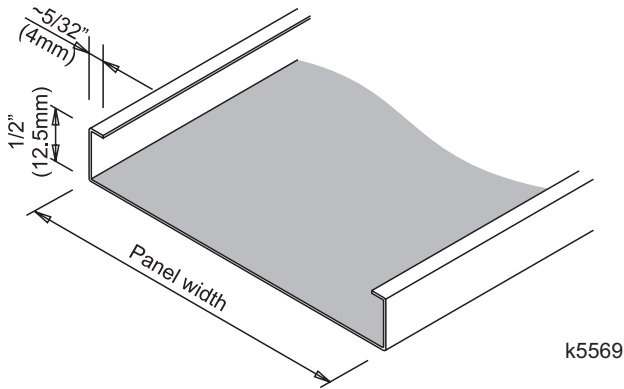


Fig. 153 LMD-P 500 panel type C

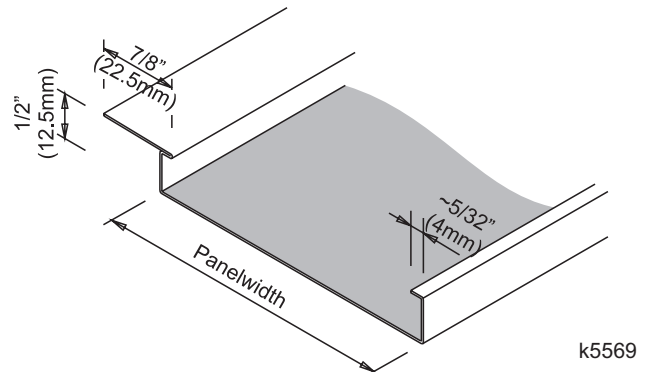


Fig. 155 LMD-P 500 longitudinal joint of the  
panel type B

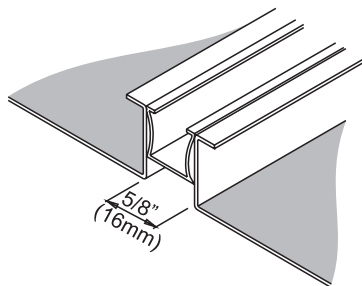


Fig. 155a Panel type LMD-P 510, sharp edge



Fig. 155b Panel type LMD-P 500, soft edge



Fig. 156 LMD-P 510 Impact Resistant linear panel

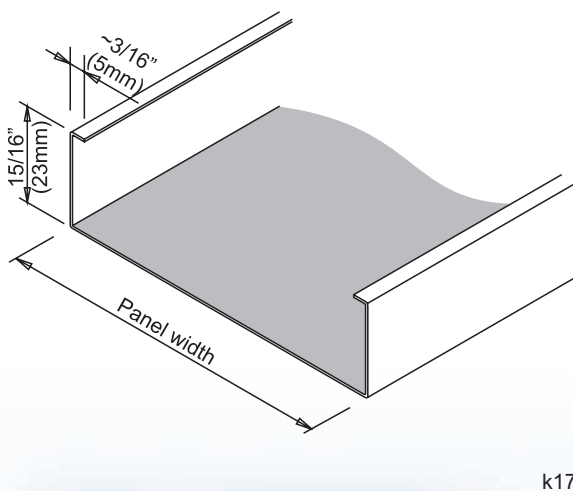
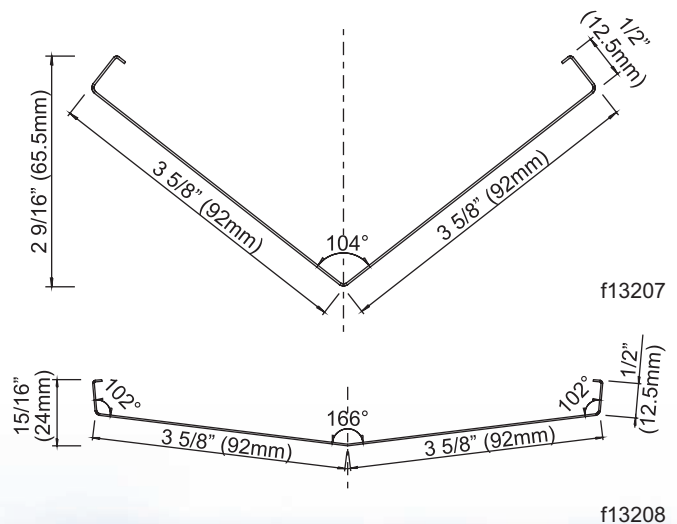


Fig. 157 Triangular panel with various heights



Subject to change without notice.

This document is intellectual property of Arnstorf based Lindner-Holding KGaA. It may neither be duplicated, exploited for profit, distributed for business purposes nor shown to any third parties without our approval. Please note that all details, schemes, pictures and dimensions shown in this catalogue are without commitment and might vary due to final project requirements. Especially all figures shown in inch are rough dimensions only. Our O&M manuals, Installation Recommendations, Product Data Sheet, etc. and the installation of Lindner products are exclusively foreseen for persons with special metal ceiling knowledge. For safety reasons all others are not allowed to use Lindner's products. Lindner ceilings must be installed as a complete system. Missing, wrong or by other products substituted components, additional loads by services for e.g. luminaries and anchors not approved by Lindner can cause failure of the complete ceiling system. Lindner ceilings are high-quality products for the interior only. All in our documents mentioned performances are subject to correct installation according to our company's manuals and Standard Terms and Conditions.