

Lindner Lights - Advantages



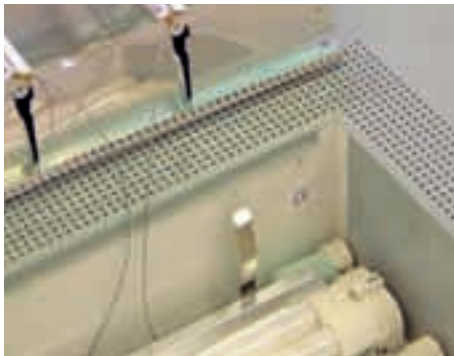
Lindner Lighting Systems can be integrated perfectly into Lindner Ceiling Systems.

The advantages of "single-source solutions":

- Color match of ceiling and lights



- No coordination between two different trades necessary (e.g. cutouts)



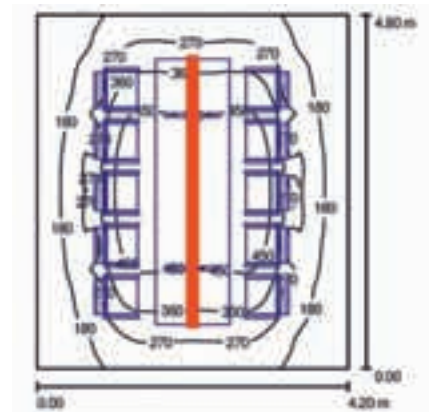
- Integrated light solutions will provide for an outstanding quality and safety



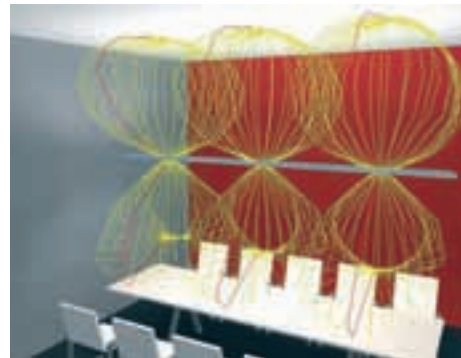
Lighting Design is customized visual design by applying artificial lighting.

As an expert for illumination, Lindner realizes convincing architectural lighting solutions and creates innovative concepts according to your requirements in:

- office buildings
- production facilities
- airports & stations
- galleries
- hotels & restaurants



Lindner is your competent partner regarding excellent lighting!



All Lindner Design Lights will have an UL-certificate.

We realize your design!

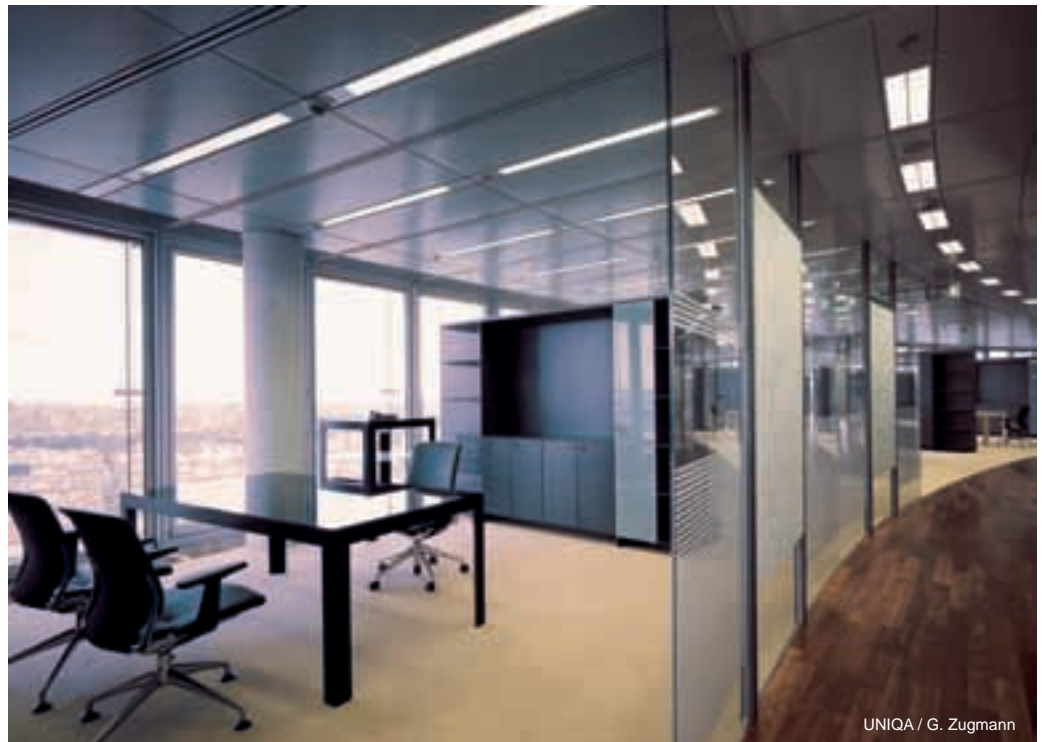
Subject to change without notice.

This document is intellectual property of Amstorf based Lindner-Holding KGaA. It may neither be duplicated, exploited for profit, distributed for business purposes nor shown to any third parties without our approval. Please note that all details, schemes, pictures and dimensions shown in this catalogue are without commitment and might vary due to final project requirements. Especially all figures shown in inch are rough dimensions only. Our O&M manuals, Installation Recommendations, Product Data Sheets, etc. and the installation of Lindner products are exclusively foreseen for persons with special metal ceiling knowledge. For safety reasons all others are not allowed to use Lindner products. Lindner lighting systems must be installed as a complete system. Missing, wrong or by other products substituted components, additional loads by services and not properly executed separate suspension for the lighting units can cause failure of the complete lighting system. Lindner lighting systems are high-quality products for the interior only. All in our documents mentioned performances are subject to correct installation according to our company's manuals and Standard Terms and Conditions.

Fig. 31a Sony Center, Berlin



Fig. 31b UNIQA Tower, Vienna



Subject to change without notice.

This document is intellectual property of Arnstorf based Lindner-Holding KGaA. It may neither be duplicated, exploited for profit, distributed for business purposes nor shown to any third parties without our approval. Please note that all details, schemes, pictures and dimensions shown in this catalogue are without commitment and might vary due to final project requirements. Especially all figures shown in inch are rough dimensions only. Our O&M manuals, Installation Recommendations, Product Data Sheets, etc. and the installation of Lindner products are exclusively foreseen for persons with special metal ceiling knowledge. For safety reasons all others are not allowed to use Lindner products. Lindner lighting systems must be installed as a complete system. Missing, wrong or by other products substituted components, additional loads by services and not properly executed separate suspension for the lighting units can cause failure of the complete lighting system. Lindner lighting systems are high-quality products for the interior only. All in our documents mentioned performances are subject to correct installation according to our company's manuals and Standard Terms and Conditions.

Be sure to see the latest version of this page on our website at:
www.LindnerUSA.com or www.Lindner.ag

Fig. 31c CBX Tower, Paris



Fig. 31d UNIQA Tower, Vienna

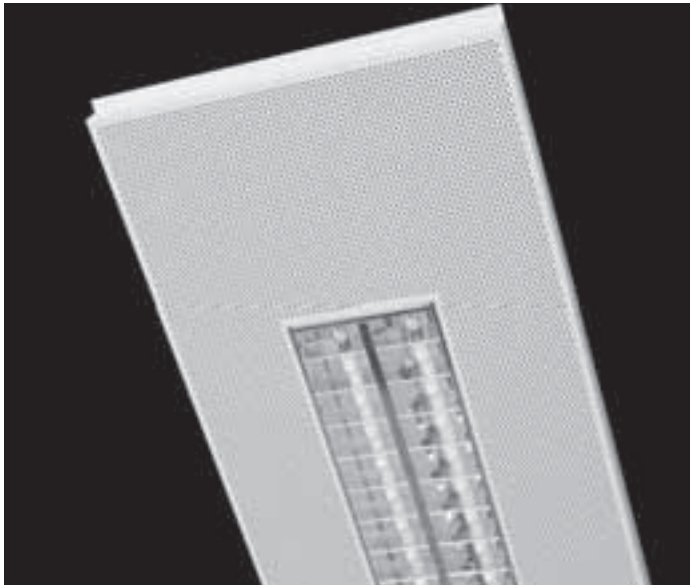


Subject to change without notice.

This document is intellectual property of Amstorf based Lindner-Holding KGaA. It may neither be duplicated, exploited for profit, distributed for business purposes nor shown to any third parties without our approval. Please note that all details, schemes, pictures and dimensions shown in this catalogue are without commitment and might vary due to final project requirements. Especially all figures shown in inch are rough dimensions only. Our O&M manuals, Installation Recommendations, Product Data Sheets, etc. and the installation of Lindner products are exclusively foreseen for persons with special metal ceiling knowledge. For safety reasons all others are not allowed to use Lindner products. Lindner lighting systems must be installed as a complete system. Missing, wrong or by other products substituted components, additional loads by services and not properly executed separate suspension for the lighting units can cause failure of the complete lighting system. Lindner lighting systems are high-quality products for the interior only. All in our documents mentioned performances are subject to correct installation according to our company's manuals and Standard Terms and Conditions.

Type IS

Fig. 31



- Powerful light fixture
- Perfectly flush and visually pleasant integration in metal ceiling
- Direct illumination
- Fluorescent lamps
- Casing made of galvanized steel sheet
- Mirror grid for UGR workplace
- Recommended for work places and highly frequented areas requiring comfortable glare-free illumination such as:
 - ✓ Superior and standard offices
 - ✓ Conference halls
 - ✓ Corridors

Type	Power	Socket	Dimensions in inch (w x l x h)	Dimensions in mm (w x l x h)
IS 1 14 BAP	1 x T16 / 14 watt	G5 socket with all illuminants	3 1/2 x 23 5/8 x 3 3/4	90 x 600 x 94
IS 2 14 BAP	2 x T16 / 14 watt		7 1/4 x 23 5/8 x 2 7/8	183 x 600 x 73
IS 1 39 BAP	1 x T16 / 39 watt		3 1/2 x 35 3/8 x 3 3/4	90 x 900 x 94
IS 2 39 BAP	2 x T16 / 39 watt		7 1/4 x 35 3/8 x 2 7/8	183 x 900 x 73
IS 1 35 BAP	1 x T16 / 35 watt		3 1/2 x 59 x 3 3/4	90 x 1500 x 94
IS 2 35 BAP	2 x T16 / 35 watt		7 1/4 x 59 x 2 7/8	183 x 1500 x 73
IS 1 54 BAP	1 x T16 / 54 watt		3 1/2 x 47 1/4 x 3 3/4	90 x 1200 x 94
IS 2 54 BAP	2 x T16 / 54 watt		7 1/4 x 47 1/4 x 2 7/8	183 x 1200 x 73

Further options available

Technical Data

Voltage:

120-277 V
50-60 Hz

Protection class:

1

Protective system:

IP 20

Ballast:

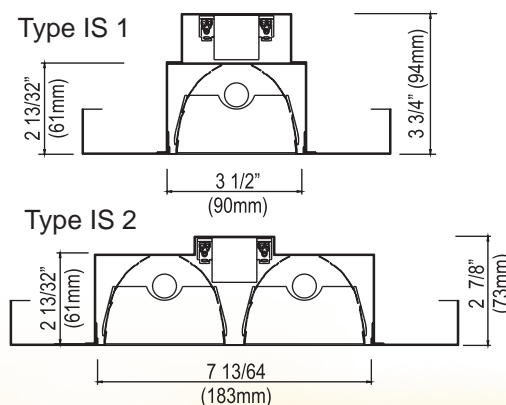
Electronic ballast included

Color:

Optionally powder-coated to match the ceiling

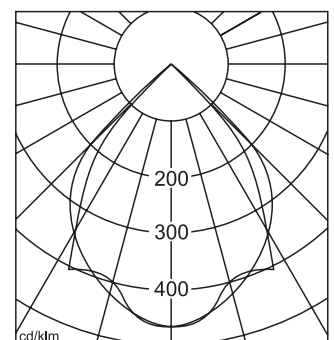
Sections

Fig. 32



Light Distribution Curve

Fig. 33



Subject to change without notice.

This document is intellectual property of Amstorf based Lindner-Holding KGaA. It may neither be duplicated, exploited for profit, distributed for business purposes nor shown to any third parties without our approval. Please note that all details, schemes, pictures and dimensions shown in this catalogue are without commitment and might vary due to final project requirements. Especially all figures shown in inch are rough dimensions only. Our O&M manuals, Installation Recommendations, Product Data Sheets, etc. and the installation of Lindner products are exclusively foreseen for persons with special metal ceiling knowledge. For safety reasons all others are not allowed to use Lindner products. Lindner lighting systems must be installed as a complete system. Missing, wrong or by other products substituted components, additional loads by services and not properly executed separate suspension for the lighting units can cause failure of the complete lighting system. Lindner lighting systems are high-quality products for the interior only. All in our documents mentioned performances are subject to correct installation according to our company's manuals and Standard Terms and Conditions.

Type SL 340

Fig. 34



- Powerful light fixture
- Perfectly flush and visually pleasant integration in metal ceiling
- Direct and indirect illumination
- Fluorescent lamps
- Casing made of galvanized steel sheet
- Involute reflector manufactured from highly pure aluminum for optimum light diffusion and minimum glare
- Finely perforated reflector shade with diffuser foil
- Recommended for highly frequented areas with demand for strong but nevertheless even and convenient illumination, such as:
 - ✓ Representative entrance or conference halls
 - ✓ Superior offices

Type	Power	Socket	Dimensions in inch (w x l x h)	Dimensions in mm (w x l x h)
SL 340 1 28	1 x T16 / 28 watt	G5 socket with all illuminants	13 1/4 x 49 1/4 x 3 7/8	338 x 1250 x 98
SL 340 2 28	2 x T16 / 28 watt		13 1/4 x 49 1/4 x 3 7/8	338 x 1250 x 98
SL 340 1 35	1 x T16 / 35 watt		13 1/4 x 61 x 3 7/8	338 x 1550 x 98
SL 340 2 35	2 x T16 / 35 watt		13 1/4 x 61 x 3 7/8	338 x 1550 x 98
SL 340 1 49	1 x T16 / 49 watt		13 1/4 x 61 x 3 7/8	338 x 1550 x 98
SL 340 2 49	2 x T16 / 49 watt		13 1/4 x 61 x 3 7/8	338 x 1550 x 98
SL 340 1 54	1 x T16 / 54 watt		13 1/4 x 49 1/4 x 3 7/8	338 x 1250 x 98
SL 340 2 54	2 x T16 / 54 watt		13 1/4 x 49 1/4 x 3 7/8	338 x 1250 x 98

Further options available

Technical Data

Voltage:

120-277 V
50-60 Hz

Protection class:

1

Protective system:

IP 20

Ballast:

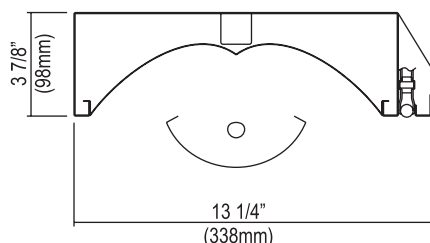
Electronic ballast included

Color:

Optionally powder-coated to match the ceiling

Section

Fig. 35



Light Distribution Curve

Fig. 36



Subject to change without notice.

This document is intellectual property of Amstorf based Lindner-Holding KGaA. It may neither be duplicated, exploited for profit, distributed for business purposes nor shown to any third parties without our approval. Please note that all details, schemes, pictures and dimensions shown in this catalogue are without commitment and might vary due to final project requirements. Especially all figures shown in inch are rough dimensions only. Our O&M manuals, Installation Recommendations, Product Data Sheets, etc. and the installation of Lindner products are exclusively foreseen for persons with special metal ceiling knowledge. For safety reasons all others are not allowed to use Lindner products. Lindner lighting systems must be installed as a complete system. Missing, wrong or by other products substituted components, additional loads by services and not properly executed separate suspension for the lighting units can cause failure of the complete lighting system. Lindner lighting systems are high-quality products for the interior only. All in our documents mentioned performances are subject to correct installation according to our company's manuals and Standard Terms and Conditions.

Type SL 597

Fig.37



- Powerful light fixture
- Perfectly flush and visually pleasant integration in metal ceiling
- Direct and indirect illumination
- Fluorescent lamps
- Casing made of galvanized steel sheet
- Reflector made of coated steel sheet for optimum smooth light distribution
- Finely perforated reflector shade with diffuser foil
- Recommended for highly frequented areas with demand for strong, but nevertheless, even and convenient illumination, such as:
 - ✓ Representative entrance or conference halls
 - ✓ Superior offices

Type	Power	Socket	Dimensions in inch (w x l x h)	Dimensions in mm (w x l x h)
SL 597 2 28	2 x T16 / 28 watt	G5	23 1/2 x 48 7/8 x 2 29/32	597 x 1242 x 74
SL 597 2 54	2 x T16 / 54 watt	G5	23 1/2 x 48 7/8 x 2 29/32	597 x 1242 x 74

Further options available

Technical Data

Voltage:

120-277 V
50-60 Hz

Protection class:

1

Protective system:

IP 20

Ballast:

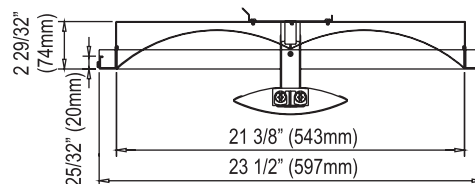
Electronic ballast included

Color:

Optionally powder-coated to match the ceiling

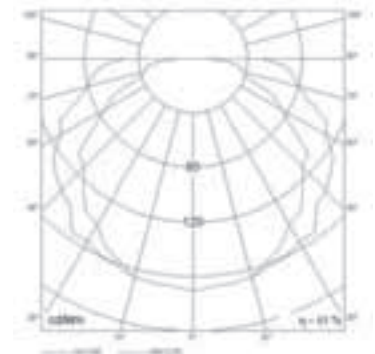
Section

Fig. 38



Light Distribution Curve

Fig. 39



Subject to change without notice.

This document is intellectual property of Amstorf based Lindner-Holding KGaA. It may neither be duplicated, exploited for profit, distributed for business purposes nor shown to any third parties without our approval. Please note that all details, schemes, pictures and dimensions shown in this catalogue are without commitment and might vary due to final project requirements. Especially all figures shown in inch are rough dimensions only. Our O&M manuals, Installation Recommendations, Product Data Sheets, etc. and the installation of Lindner products are exclusively foreseen for persons with special metal ceiling knowledge. For safety reasons all others are not allowed to use Lindner products. Lindner lighting systems must be installed as a complete system. Missing, wrong or by other products substituted components, additional loads by services and not properly executed separate suspension for the lighting units can cause failure of the complete lighting system. Lindner lighting systems are high-quality products for the interior only. All in our documents mentioned performances are subject to correct installation according to our company's manuals and Standard Terms and Conditions.

Be sure to see the latest version of this page on our website at:
www.LindnerUSA.com or www.Lindner.ag

Fig. 40a

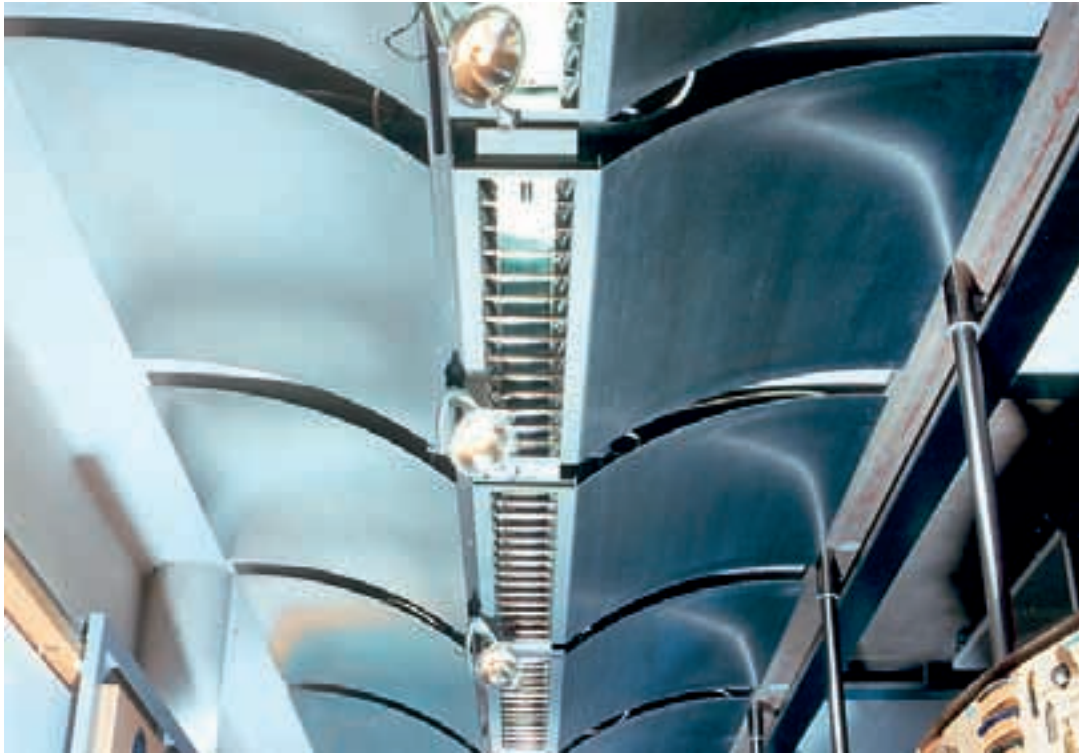


Fig. 40b



Subject to change without notice.

This document is intellectual property of Amstorf based Lindner-Holding KGaA. It may neither be duplicated, exploited for profit, distributed for business purposes nor shown to any third parties without our approval. Please note that all details, schemes, pictures and dimensions shown in this catalogue are without commitment and might vary due to final project requirements. Especially all figures shown in inch are rough dimensions only. Our O&M manuals, Installation Recommendations, Product Data Sheets, etc. and the installation of Lindner products are exclusively foreseen for persons with special metal ceiling knowledge. For safety reasons all others are not allowed to use Lindner products. Lindner lighting systems must be installed as a complete system. Missing, wrong or by other products substituted components, additional loads by services and not properly executed separate suspension for the lighting units can cause failure of the complete lighting system. Lindner lighting systems are high-quality products for the interior only. All in our documents mentioned performances are subject to correct installation according to our company's manuals and Standard Terms and Conditions.

Type SYS 200

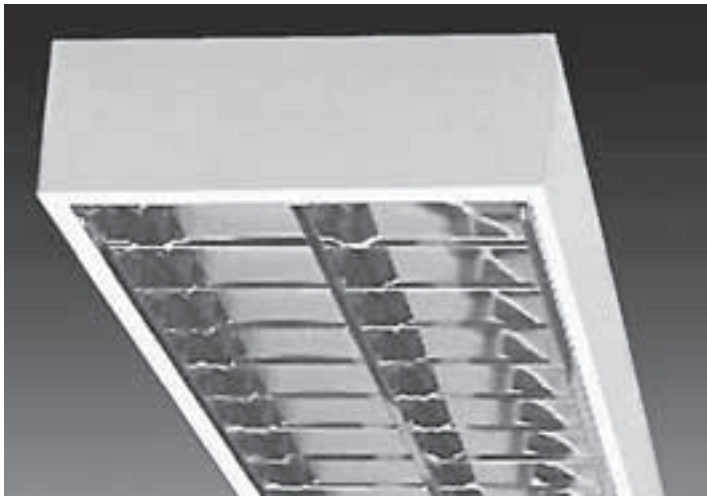


Fig. 40

- Direct illumination
- Fluorescent lamps
- Casing made of galvanized steel sheet
- Mirror grid for UGR workplace
- Recommended for work places and standard illumination such as:
 - ✓ Offices
 - ✓ Corridors

Type	Power	Socket	Dimensions in inch (w x l x h)	Dimensions in mm (w x l x h)
SYS 200 .. 1 14 BAP	1 x T16 / 14 watt	G5 socket with all illuminants	4 21/64 x 23 1/4 x 2 1/2	110 x 590 x 64
SYS 200 .. 1 21 BAP	1 x T16 / 21 watt		4 21/64 x 35 x 2 1/2	110 x 890 x 64
SYS 200 .. 1 28 BAP	1 x T16 / 28 watt		4 21/64 x 46 7/8 x 2 1/2	110 x 1190 x 64
SYS 200 .. 1 35 BAP	1 x T16 / 35 watt		4 21/64 x 58 5/8 x 2 1/2	110 x 1490 x 64
SYS 200 .. 1 24 BAP	1 x T16 / 24 watt		4 21/64 x 23 1/4 x 2 1/2	110 x 590 x 64
SYS 200 .. 1 39 BAP	1 x T16 / 39 watt		4 21/64 x 35 x 2 1/2	110 x 890 x 64
SYS 200 .. 1 54 BAP	1 x T16 / 54 watt		4 21/64 x 46 7/8 x 2 1/2	110 x 1190 x 64
SYS 200 .. 1 80 BAP	1 x T16 / 80 watt		4 21/64 x 58 5/8 x 2 1/2	110 x 1490 x 64
SYS 200 .. 2 14 BAP	2 x T16 / 14 watt		8 x 23 1/4 x 2 61/64	204 x 590 x 75
SYS 200 .. 2 21 BAP	2 x T16 / 21 watt		8 x 35 x 2 61/64	204 x 890 x 75
SYS 200 .. 2 28 BAP	2 x T16 / 28 watt		8 x 46 7/8 x 2 61/64	204 x 1190 x 75
SYS 200 .. 2 35 BAP	2 x T16 / 35 watt		8 x 58 5/8 x 2 61/64	204 x 1490 x 75
SYS 200 .. 2 24 BAP	2 x T16 / 24 watt		8 x 23 1/4 x 2 61/64	204 x 590 x 75
SYS 200 .. 2 39 BAP	2 x T16 / 39 watt		8 x 35 x 2 61/64	204 x 890 x 75
SYS 200 .. 2 54 BAP	2 x T16 / 54 watt		8 x 46 7/8 x 2 61/64	204 x 1190 x 75
SYS 200 .. 2 80 BAP	2 x T16 / 80 watt		8 x 58 5/8 x 2 61/64	204 x 1490 x 75

Further options available

Technical Data

Voltage:

120-277 V
50-60 Hz

Protection class:

1

Protective system:

IP 20

Ballast:

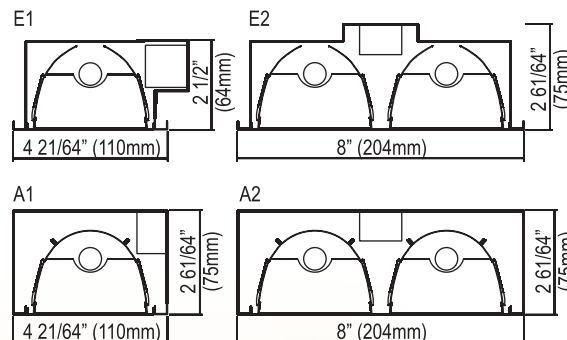
Electronic ballast included

Color:

Optionally powder-coated to match the ceiling

Sections

Fig. 41



Light Distribution Curve

Fig. 42



Subject to change without notice.

This document is intellectual property of Amstorf based Lindner-Holding KGaA. It may neither be duplicated, exploited for profit, distributed for business purposes nor shown to any third parties without our approval. Please note that all details, schemes, pictures and dimensions shown in this catalogue are without commitment and might vary due to final project requirements. Especially all figures shown in inch are rough dimensions only. Our O&M manuals, Installation Recommendations, Product Data Sheets, etc. and the installation of Lindner products are exclusively foreseen for persons with special metal ceiling knowledge. For safety reasons all others are not allowed to use Lindner products. Lindner lighting systems must be installed as a complete system. Missing, wrong or by other products substituted components, additional loads by services and not properly executed separate suspension for the lighting units can cause failure of the complete lighting system. Lindner lighting systems are high-quality products for the interior only. All in our documents mentioned performances are subject to correct installation according to our company's manuals and Standard Terms and Conditions.

Type SYS 298

Fig. 43



- Impact-resistant
- Direct illumination
- Fluorescent lamps
- Casing made of galvanized steel sheet
- Luminary with a narrow angle light diffusion
- Recommended for sports arenas, such as:
 - ✓ Indoor swimming pools
 - ✓ Gymnasiums

Type	Power	Socket	Dimensions in inch (w x l x h)	Dimensions in mm (w x l x h)
SYS 298 1 36 EVG	1 x T26 / 36 watt	G13	11 3/4 x 49 1/4 x 4 19/64	298 x 1250 x 109
SYS 298 2 36 EVG	2 x T26 / 36 watt	G13	11 3/4 x 49 1/4 x 4 19/64	298 x 1250 x 109
SYS 298 3 36 EVG	3 x T26 / 36 watt	G13	11 3/4 x 49 1/4 x 4 19/64	298 x 1250 x 109
SYS 298 1 58 EVG	1 x T26 / 58 watt	G13	11 3/4 x 61 x 4 19/64	298 x 1550 x 109
SYS 298 2 58 EVG	2 x T26 / 58 watt	G13	11 3/4 x 61 x 4 19/64	298 x 1550 x 109
SYS 298 3 58 EVG	3 x T26 / 58 watt	G13	11 3/4 x 61 x 4 19/64	298 x 1550 x 109

Further options available

Technical Data

Voltage:

120-277 V
50-60 Hz

Protection class:

1

Protective system:

IP 20

Ballast:

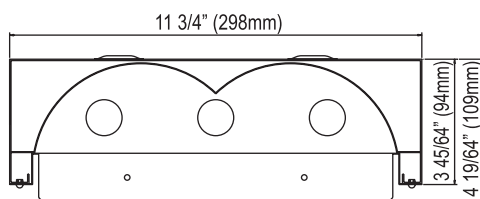
Electronic ballast included

Color:

Optionally powder-coated to match the ceiling

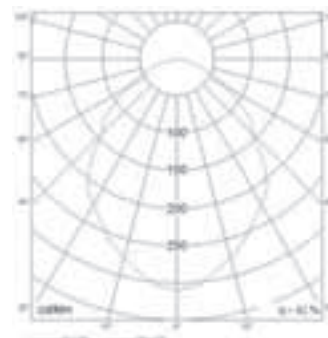
Section

Fig. 44



Light Distribution Curve

Fig. 45

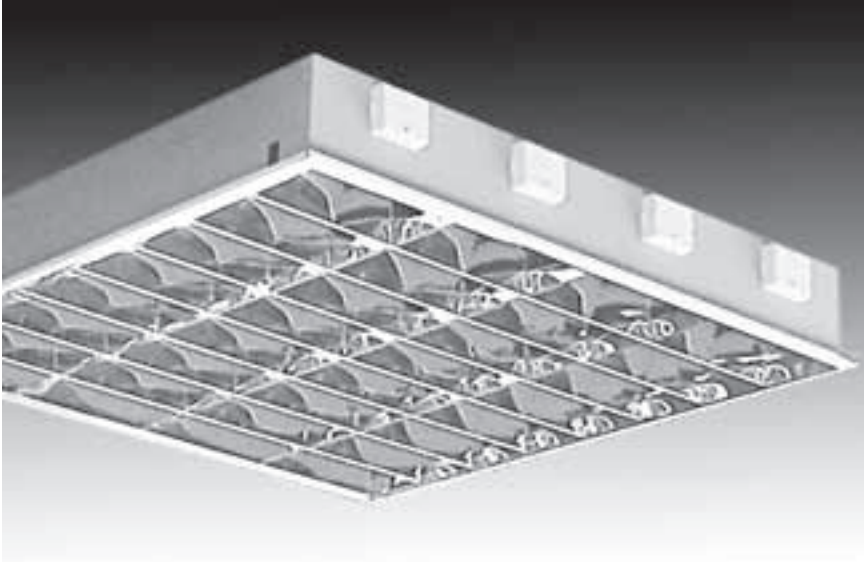


Subject to change without notice.

This document is intellectual property of Amstorf based Lindner-Holding KGaA. It may neither be duplicated, exploited for profit, distributed for business purposes nor shown to any third parties without our approval. Please note that all details, schemes, pictures and dimensions shown in this catalogue are without commitment and might vary due to final project requirements. Especially all figures shown in inch are rough dimensions only. Our O&M manuals, Installation Recommendations, Product Data Sheets, etc. and the installation of Lindner products are exclusively foreseen for persons with special metal ceiling knowledge. For safety reasons all others are not allowed to use Lindner products. Lindner lighting systems must be installed as a complete system. Missing, wrong or by other products substituted components, additional loads by services and not properly executed separate suspension for the lighting units can cause failure of the complete lighting system. Lindner lighting systems are high-quality products for the interior only. All in our documents mentioned performances are subject to correct installation according to our company's manuals and Standard Terms and Conditions.

Type Q 625

Fig. 46



- Direct illumination
- Fluorescent lamps
- Casing made of galvanized steel sheet
- Mirror grid for UGR workplace
- Recommended for universal illumination, such as:
 - ✓ Entrance areas
 - ✓ Corridors
 - ✓ Offices
 - ✓ Shops

Type	Power	Socket	Dimensions in inch (w x l x h)	Dimensions in mm (w x l x h)
Q 625 4 14 BAP / E	4 x T16 / 14 watt	G5	24 x 24 x 3 35/64	609,6 x 609,6
Q 625 4 14 BAP / KK	4 x T16 / 14 watt	G5	24 x 24 x 3 35/64	609,6 x 609,6

E = Lay-in Type, KK = clip-in Type

Further options available

Technical Data

Voltage:

120-277 V
50-60 Hz

Protection class:

1

Protective system:

IP 20

Ballast:

Electronic ballast included

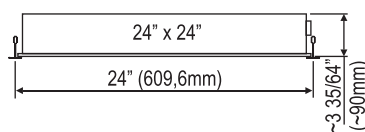
Color:

Optionally powder-coated to match the ceiling

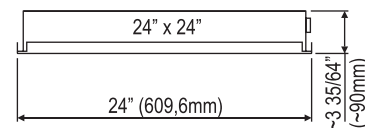
Sections

Fig. 47

For Lay-In ceiling

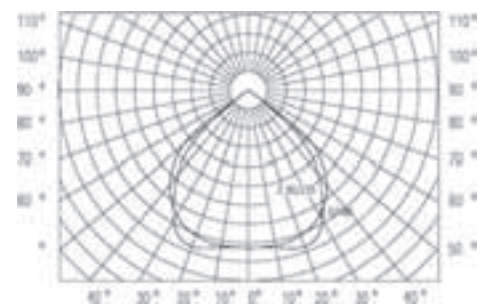


For Clip-In ceiling



Light Distribution Curve

Fig. 48



Subject to change without notice.

This document is intellectual property of Amstorf based Lindner-Holding KGaA. It may neither be duplicated, exploited for profit, distributed for business purposes nor shown to any third parties without our approval. Please note that all details, schemes, pictures and dimensions shown in this catalogue are without commitment and might vary due to final project requirements. Especially all figures shown in inch are rough dimensions only. Our O&M manuals, Installation Recommendations, Product Data Sheets, etc. and the installation of Lindner products are exclusively foreseen for persons with special metal ceiling knowledge. For safety reasons all others are not allowed to use Lindner products. Lindner lighting systems must be installed as a complete system. Missing, wrong or by other products substituted components, additional loads by services and not properly executed separate suspension for the lighting units can cause failure of the complete lighting system. Lindner lighting systems are high-quality products for the interior only. All in our documents mentioned performances are subject to correct installation according to our company's manuals and Standard Terms and Conditions.

Be sure to see the latest version of this page on our website at:
www.LindnerUSA.com or www.Lindner.ag

Type Q 400

Fig. 49



- Direct illumination
- Compact fluorescent lamps
- Casing made of galvanized steel sheet
- Mirror grid for UGR workplace
- Recommended for universal illumination, such as:
 - ✓ Entrance areas
 - ✓ Corridors
 - ✓ Offices
 - ✓ Shops

Type	Power	Socket	Dimensions in inch (w x l x h)	Dimensions in mm (w x l x h)
Q 400 BAP	2 x TC-L / 24 watt	2G11	15 3/4 x 15 3/4 x 2 3/4	400 x 400 x 70

Further options available

Technical Data

Voltage:

120-277 V
50-60 Hz

Protection class:

1

Protective system:

IP 20

Ballast:

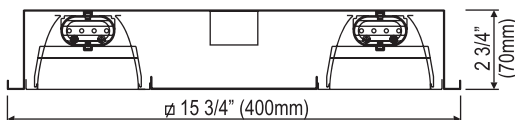
Electronic ballast included

Color:

Optionally powder-coated to match the ceiling

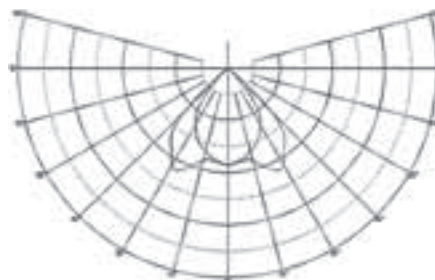
Section

Fig. 50



Light Distribution Curve

Fig. 51



Subject to change without notice.

This document is intellectual property of Amstorf based Lindner-Holding KGaA. It may neither be duplicated, exploited for profit, distributed for business purposes nor shown to any third parties without our approval. Please note that all details, schemes, pictures and dimensions shown in this catalogue are without commitment and might vary due to final project requirements. Especially all figures shown in inch are rough dimensions only. Our O&M manuals, Installation Recommendations, Product Data Sheets, etc. and the installation of Lindner products are exclusively foreseen for persons with special metal ceiling knowledge. For safety reasons all others are not allowed to use Lindner products. Lindner lighting systems must be installed as a complete system. Missing, wrong or by other products substituted components, additional loads by services and not properly executed separate suspension for the lighting units can cause failure of the complete lighting system. Lindner lighting systems are high-quality products for the interior only. All in our documents mentioned performances are subject to correct installation according to our company's manuals and Standard Terms and Conditions.

Typ Q 600-IS

Fig. 52



- Powerful light fixture for perfectly flush and visually pleasant integration in metal ceiling
- Direct illumination
- Fluorescent lamps
- Casing made of galvanized steel sheet
- Mirror grid for UGR workplace
- Recommended for universal illumination, such as:
 - ✓ Entrance areas
 - ✓ Corridors
 - ✓ Offices
 - ✓ Shops

Type	Power	Socket	Dimensions in inch (w x l x h)	Dimensions in mm (w x l x h)
Q600-IS 3 14 EVG BAP	3 x T16 / 14 watt	G5	24 x 24 x 2 13/32	609,6 x 609,6 x 61
Q600-IS 3 24 EVG BAP	3 x T16 / 24 watt	G5	24 x 24 x 2 13/32	609,6 x 609,6 x 61

Further options available

Technical Data

Voltage:

120-277 V
50-60 Hz

Protection class:

1

Protective system:

IP 20

Ballast:

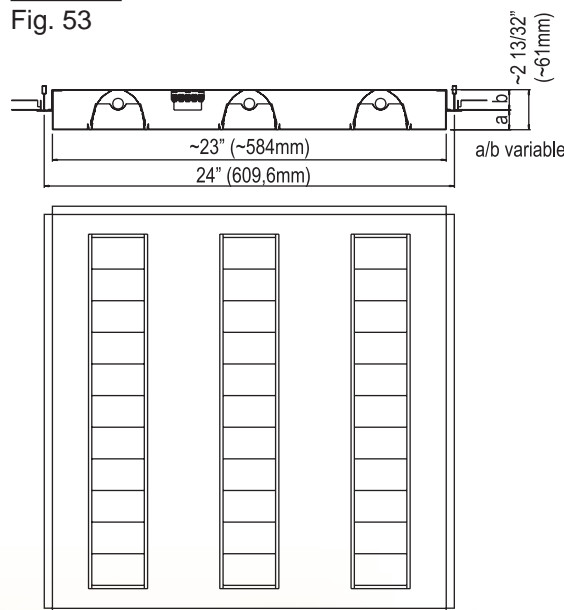
Electronic ballast included

Color:

Optionally powder-coated to match the ceiling

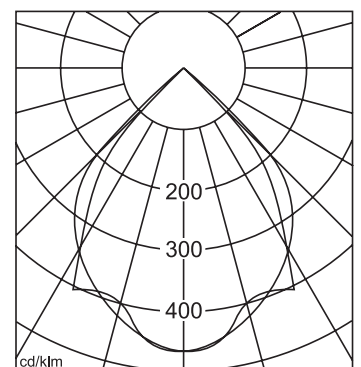
Sections

Fig. 53



Light Distribution Curve

Fig. 54



Subject to change without notice.

This document is intellectual property of Amstorf based Lindner-Holding KGaA. It may neither be duplicated, exploited for profit, distributed for business purposes nor shown to any third parties without our approval. Please note that all details, schemes, pictures and dimensions shown in this catalogue are without commitment and might vary due to final project requirements. Especially all figures shown in inch are rough dimensions only. Our O&M manuals, Installation Recommendations, Product Data Sheets, etc. and the installation of Lindner products are exclusively foreseen for persons with special metal ceiling knowledge. For safety reasons all others are not allowed to use Lindner products. Lindner lighting systems must be installed as a complete system. Missing, wrong or by other products substituted components, additional loads by services and not properly executed separate suspension for the lighting units can cause failure of the complete lighting system. Lindner lighting systems are high-quality products for the interior only. All in our documents mentioned performances are subject to correct installation according to our company's manuals and Standard Terms and Conditions.

Be sure to see the latest version of this page on our website at:
www.LindnerUSA.com or www.Lindner.ag

Type SYS 114

Fig. 58



- Direct illumination
- Fluorescent lamps
- Casing made of galvanized steel sheet
- Mirror grid for UGR workplace
- Recommended for universal illumination, such as:
 - ✓ Entrance areas
 - ✓ Corridors
 - ✓ Offices
 - ✓ Shops

Type	Power	Socket	Dimensions in inch (w x l x h)	Dimensions in mm (w x l x h)
SYS 114 - 14	T16 14 watt	G5 socket with all illuminants	4 1/2 x 25 7/8 x 2 1/2	114 x 658 x 64
SYS 114 - 21	T16 21 watt		4 1/2 x 37 3/4 x 2 1/2	114 x 958 x 64
SYS 114 - 28	T16 28 watt		4 1/2 x 49 1/2 x 2 1/2	114 x 1258 x 64
SYS 114 - 35	T16 35 watt		4 1/2 x 61 3/8 x 2 1/2	114 x 1558 x 64
SYS 114 - 24	T16 24 watt		4 1/2 x 25 7/8 x 2 1/2	114 x 658 x 64
SYS 114 - 39	T16 39 watt		4 1/2 x 37 3/4 x 2 1/2	114 x 958 x 64
SYS 114 - 54	T16 54 watt		4 1/2 x 49 1/2 x 2 1/2	114 x 1258 x 64
SYS 114 - 80	T16 80 watt		4 1/2 x 61 3/8 x 2 1/2	114 x 1558 x 64

Further options available

Technical Data

Voltage:

120-277 V
50-60 Hz

Protection class:

1

Protective system:

IP 20

Ballast:

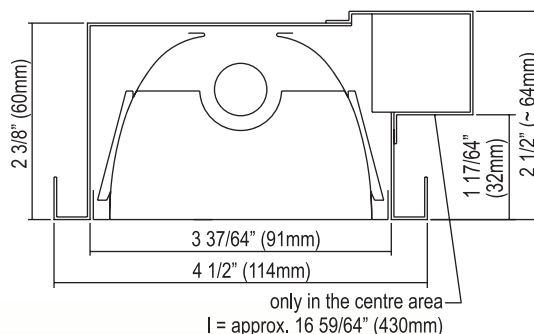
Electronic ballast included

Color:

Optionally powder-coated to match the ceiling

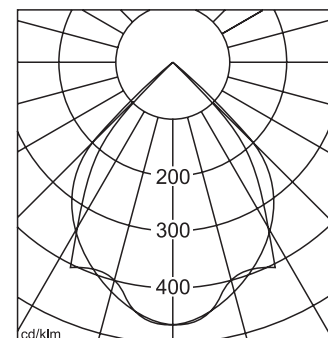
Section

Fig. 59



Light Distribution Curve

Fig. 60



Subject to change without notice.

This document is intellectual property of Amstorf based Lindner-Holding KGaA. It may neither be duplicated, exploited for profit, distributed for business purposes nor shown to any third parties without our approval. Please note that all details, schemes, pictures and dimensions shown in this catalogue are without commitment and might vary due to final project requirements. Especially all figures shown in inch are rough dimensions only. Our O&M manuals, Installation Recommendations, Product Data Sheets, etc. and the installation of Lindner products are exclusively foreseen for persons with special metal ceiling knowledge. For safety reasons all others are not allowed to use Lindner products. Lindner lighting systems must be installed as a complete system. Missing, wrong or by other products substituted components, additional loads by services and not properly executed separate suspension for the lighting units can cause failure of the complete lighting system. Lindner lighting systems are high-quality products for the interior only. All in our documents mentioned performances are subject to correct installation according to our company's manuals and Standard Terms and Conditions.

Type SD 182

Fig. 61



- Direct illumination
- Fluorescent lamps
- Casing made of galvanized steel sheet
- Mirror grid for UGR workplace
- Recommended for universal illumination, such as:
 - ✓ Entrance areas
 - ✓ Corridors
 - ✓ Offices
 - ✓ Shops

Type	Power	Socket	Dimensions in inch (w x l x h)	Dimensions in mm (w x l x h)
SD 182 1 36 BAP	1 x T26 / 36 watt	G13	7 11/64 x 49 39/64 x 4 3/4	182 x 1260 x 120
SD 182 1 58 BAP	1 x T26 / 58 watt	G13	7 11/64 x 61 27/64 x 4 3/4	182 x 1560 x 120
SD 182 2 36 BAP	2 x T26 / 36 watt	G13	7 11/64 x 49 39/64 x 4 3/4	182 x 1260 x 120
SD 182 2 58 BAP	2 x T26 / 58 watt	G13	7 11/64 x 61 27/64 x 4 3/4	182 x 1560 x 120

Further options available

Technical Data
Voltage:

 120-277 V
 50-60 Hz

Protection class:

1

Protective system:

IP 20

Ballast:

Electronic ballast included

Color:

Optionally powder-coated to match the ceiling

Section

Fig. 62

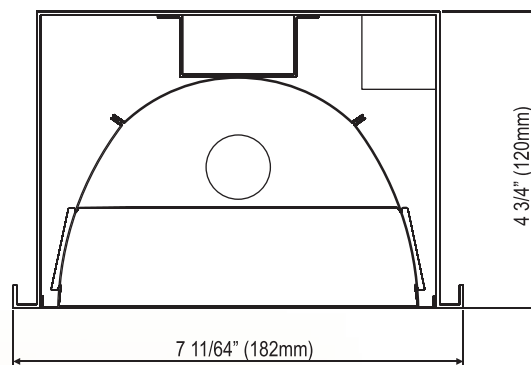
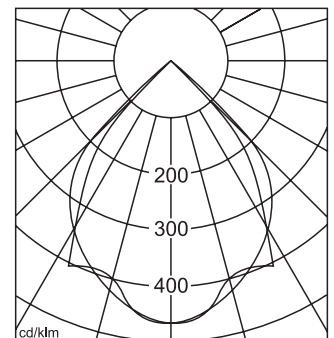

Light Distribution Curve

Fig. 63



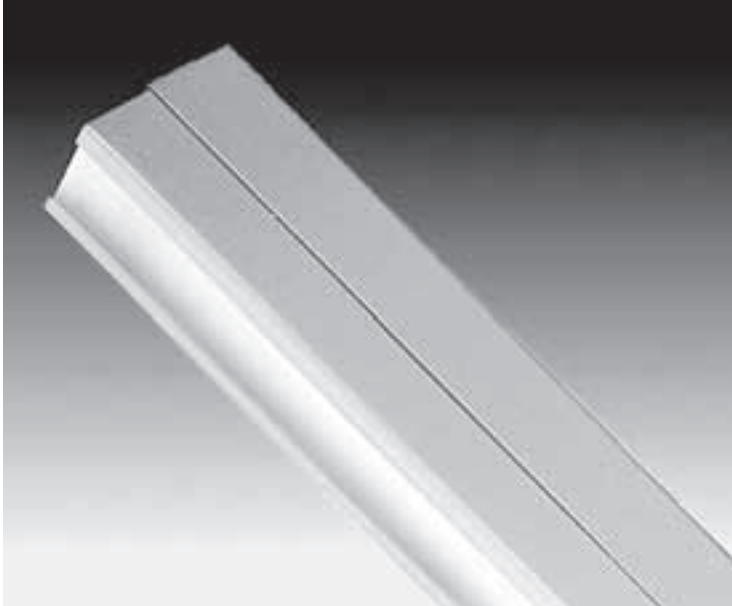
Subject to change without notice.

This document is intellectual property of Amstorf based Lindner-Holding KGaA. It may neither be duplicated, exploited for profit, distributed for business purposes nor shown to any third parties without our approval. Please note that all details, schemes, pictures and dimensions shown in this catalogue are without commitment and might vary due to final project requirements. Especially all figures shown in inch are rough dimensions only. Our O&M manuals, Installation Recommendations, Product Data Sheets, etc. and the installation of Lindner products are exclusively foreseen for persons with special metal ceiling knowledge. For safety reasons all others are not allowed to use Lindner products. Lindner lighting systems must be installed as a complete system. Missing, wrong or by other products substituted components, additional loads by services and not properly executed separate suspension for the lighting units can cause failure of the complete lighting system. Lindner lighting systems are high-quality products for the interior only. All in our documents mentioned performances are subject to correct installation according to our company's manuals and Standard Terms and Conditions.

Be sure to see the latest version of this page on our website at:
www.LindnerUSA.com or www.Lindner.ag

Type L 30

Fig. 64



- For ceiling system LMD-L 601
- Direct illumination
- Fluorescent lamps
- Casing made of galvanized steel sheet
- Opaline Plexiglas plate as diffuser
- Recommended for universal illumination, such as:
 - ✓ Entrance areas
 - ✓ Corridors
 - ✓ Offices
 - ✓ Shops

Type	Power	Socket	Dimensions in inch (w x l x h)	Dimensions in mm (w x l x h)
L 30 - 14	T16 14 watt	G5	1 3/16 x 22 7/8 x 2	30 x 580 x 50
L 30 - 21	T16 21 watt	G5	1 3/16 x 34 5/8 x 2	30 x 880 x 50
L 30 - 28	T16 28 watt	G5	1 3/16 x 46 1/2 x 2	30 x 1180 x 50
L 30 - 35	T16 35 watt	G5	1 3/16 x 58 1/4 x 2	30 x 1480 x 50

Further options available

Technical Data

Voltage:

120-277 V
50-60 Hz

Protection class:

1

Protective system:

IP 20

Ballast:

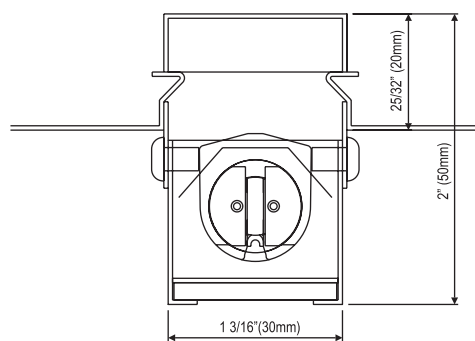
Electronic ballast included

Color:

Optionally powder-coated to match the ceiling

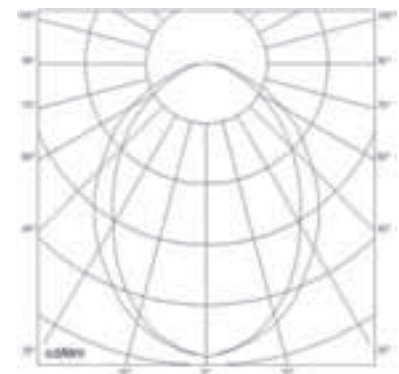
Section

Fig. 65



Light Distribution Curve

Fig. 66



Subject to change without notice.

This document is intellectual property of Amstorf based Lindner-Holding KGaA. It may neither be duplicated, exploited for profit, distributed for business purposes nor shown to any third parties without our approval. Please note that all details, schemes, pictures and dimensions shown in this catalogue are without commitment and might vary due to final project requirements. Especially all figures shown in inch are rough dimensions only. Our O&M manuals, Installation Recommendations, Product Data Sheets, etc. and the installation of Lindner products are exclusively foreseen for persons with special metal ceiling knowledge. For safety reasons all others are not allowed to use Lindner products. Lindner lighting systems must be installed as a complete system. Missing, wrong or by other products substituted components, additional loads by services and not properly executed separate suspension for the lighting units can cause failure of the complete lighting system. Lindner lighting systems are high-quality products for the interior only. All in our documents mentioned performances are subject to correct installation according to our company's manuals and Standard Terms and Conditions.

Fig. 87a CBX Tower, Paris



Subject to change without notice.

This document is intellectual property of Amstorf based Lindner-Holding KGaA. It may neither be duplicated, exploited for profit, distributed for business purposes nor shown to any third parties without our approval. Please note that all details, schemes, pictures and dimensions shown in this catalogue are without commitment and might vary due to final project requirements. Especially all figures shown in inch are rough dimensions only. Our O&M manuals, Installation Recommendations, Product Data Sheets, etc. and the installation of Lindner products are exclusively foreseen for persons with special metal ceiling knowledge. For safety reasons all others are not allowed to use Lindner products. Lindner lighting systems must be installed as a complete system. Missing, wrong or by other products substituted components, additional loads by services and not properly executed separate suspension for the lighting units can cause failure of the complete lighting system. Lindner lighting systems are high-quality products for the interior only. All in our documents mentioned performances are subject to correct installation according to our company's manuals and Standard Terms and Conditions.

Be sure to see the latest version of this page on our website at:
www.LindnerUSA.com or www.Lindner.ag

Fig. 87b State Hospital, Voecklabruck

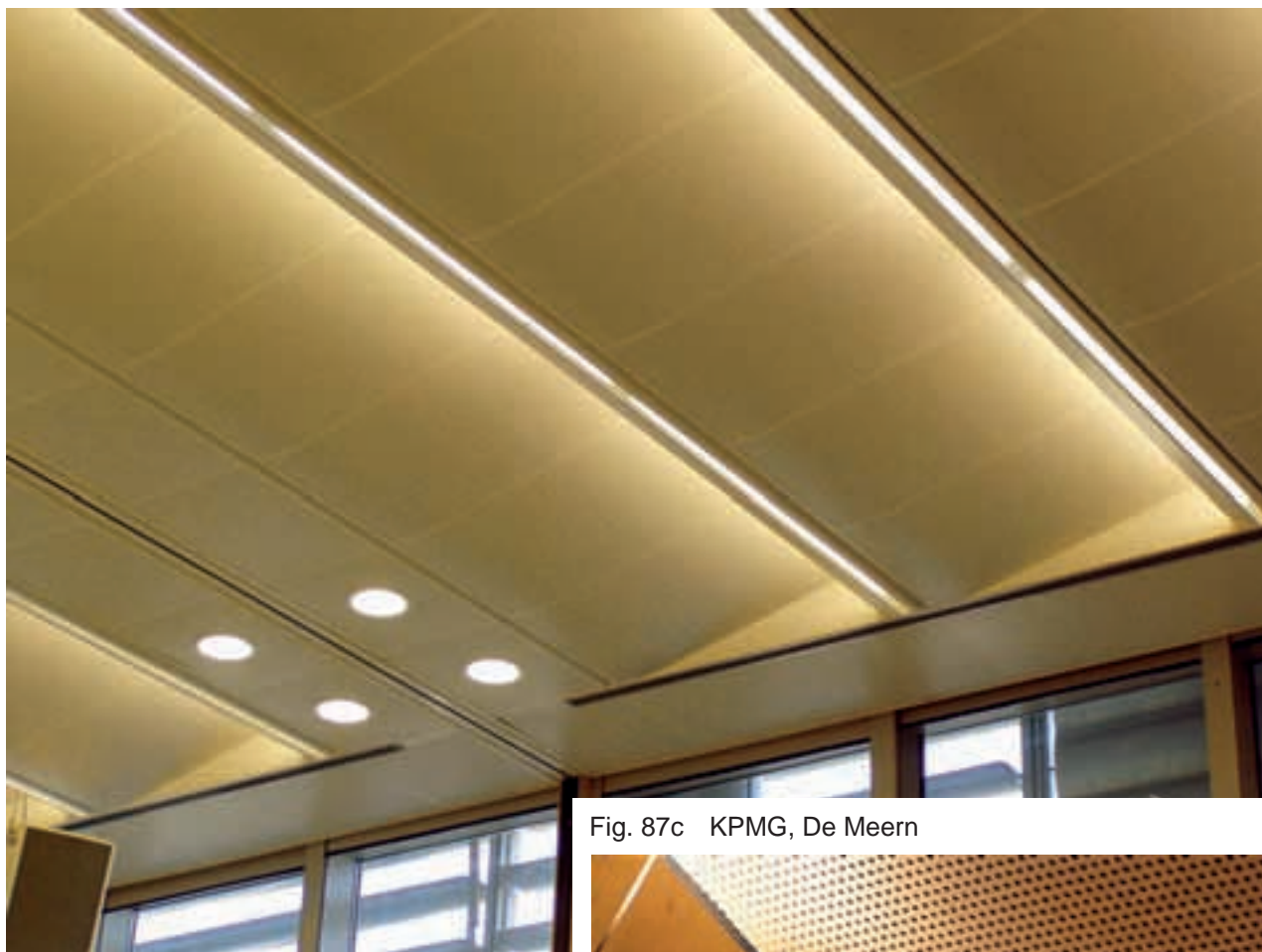
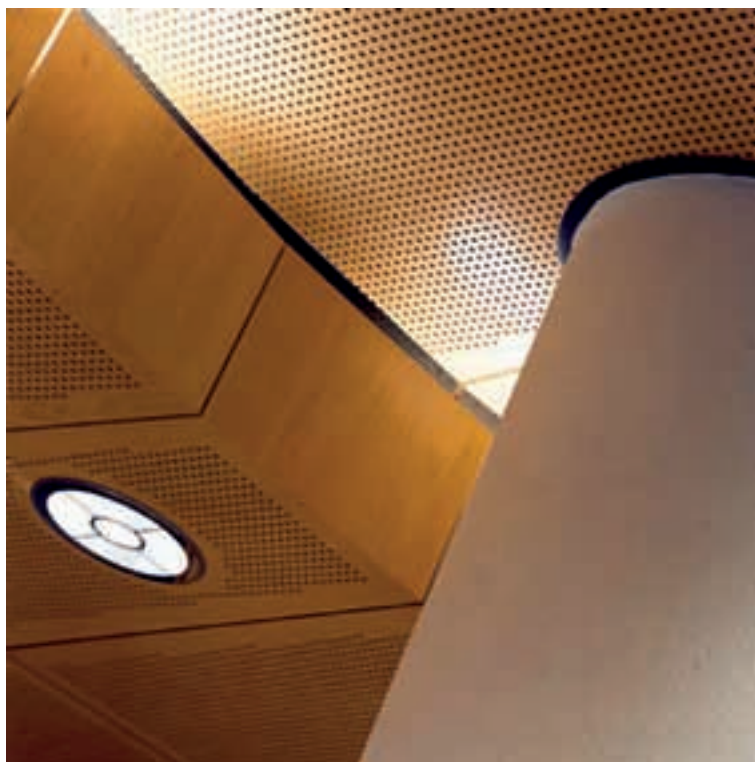


Fig. 87c KPMG, De Meern



Subject to change without notice.

This document is intellectual property of Amstorf based Lindner-Holding KGaA. It may neither be duplicated, exploited for profit, distributed for business purposes nor shown to any third parties without our approval. Please note that all details, schemes, pictures and dimensions shown in this catalogue are without commitment and might vary due to final project requirements. Especially all figures shown in inch are rough dimensions only. Our O&M manuals, Installation Recommendations, Product Data Sheets, etc. and the installation of Lindner products are exclusively foreseen for persons with special metal ceiling knowledge. For safety reasons all others are not allowed to use Lindner products. Lindner lighting systems must be installed as a complete system. Missing, wrong or by other products substituted components, additional loads by services and not properly executed separate suspension for the lighting units can cause failure of the complete lighting system. Lindner lighting systems are high-quality products for the interior only. All in our documents mentioned performances are subject to correct installation according to our company's manuals and Standard Terms and Conditions.

Type RS 255

Fig. 87



- Direct illumination
- Compact fluorescent lamps
- Casing made of galvanized steel sheet
- Satin glass as diffuser
- Recommended for universal illumination, such as:
 - ✓ Entrance areas
 - ✓ Corridors
 - ✓ Offices
 - ✓ Shops

Type	Power	Socket	Dimensions in inch (ø x h)	Dimensions in mm (ø x h)
RS 255 E B 2 18 / EVG ...	2 x TC-DEL / 18 watt	G24q-2	10 x 4 3/4	255 x 120
RS 255 E B 2 26 / EVG ...	2 x TC-DEL / 26 watt	G24q-3	10 x 4 3/4	255 x 120

Further options available

Technical Data

Voltage:

120-277 V
50-60 Hz

Protection class:

1

Protective system:

IP 20

Ballast:

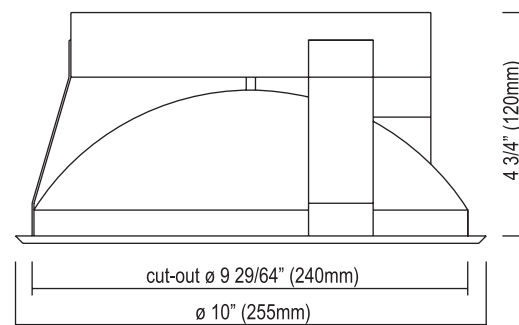
Electronic ballast included

Color:

Optionally powder-coated to match the ceiling

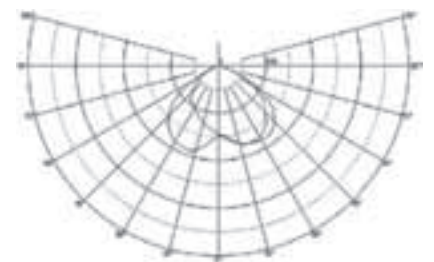
Section

Fig. 88



Light Distribution Curve

Fig. 89



Subject to change without notice.

This document is intellectual property of Amstorf based Lindner-Holding KGaA. It may neither be duplicated, exploited for profit, distributed for business purposes nor shown to any third parties without our approval. Please note that all details, schemes, pictures and dimensions shown in this catalogue are without commitment and might vary due to final project requirements. Especially all figures shown in inch are rough dimensions only. Our O&M manuals, Installation Recommendations, Product Data Sheets, etc. and the installation of Lindner products are exclusively foreseen for persons with special metal ceiling knowledge. For safety reasons all others are not allowed to use Lindner products. Lindner lighting systems must be installed as a complete system. Missing, wrong or by other products substituted components, additional loads by services and not properly executed separate suspension for the lighting units can cause failure of the complete lighting system. Lindner lighting systems are high-quality products for the interior only. All in our documents mentioned performances are subject to correct installation according to our company's manuals and Standard Terms and Conditions.

Be sure to see the latest version of this page on our website at:
www.LindnerUSA.com or www.Lindner.ag

LLP - Downlights

Type RS 255/TR

Fig. 90



- Direct illumination
- Compact fluorescent lamps
- Casing made of galvanized steel sheet
- Turbo grid
- Recommended for universal illumination, such as:
 - ✓ Entrance areas
 - ✓ Corridors
 - ✓ Offices
 - ✓ Shops

Type	Power	Socket	Dimensions in inch (ø x h)	Dimensions in mm (ø x h)
RS 255 E B 2 18 / EVG TR	2 x TC-DEL / 18 watt	G24q-2	10 x 7 1/8	255 x 180
RS 255 E B 2 26 / EVG TR	2 x TC-DEL / 26 watt	G24q-3	10 x 7 1/8	255 x 180

Further options available

Technical Data

Voltage:

120-277 V
50-60 Hz

Protection class:

1

Protective system:

IP 20

Ballast:

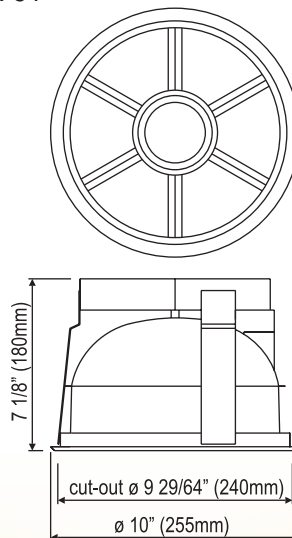
Electronic ballast included

Color:

Optionally powder-coated to match the ceiling

Sections

Fig. 91



Light Distribution Curve

Fig. 92



Subject to change without notice.

This document is intellectual property of Amstorf based Lindner-Holding KGaA. It may neither be duplicated, exploited for profit, distributed for business purposes nor shown to any third parties without our approval. Please note that all details, schemes, pictures and dimensions shown in this catalogue are without commitment and might vary due to final project requirements. Especially all figures shown in inch are rough dimensions only. Our O&M manuals, Installation Recommendations, Product Data Sheets, etc. and the installation of Lindner products are exclusively foreseen for persons with special metal ceiling knowledge. For safety reasons all others are not allowed to use Lindner products. Lindner lighting systems must be installed as a complete system. Missing, wrong or by other products substituted components, additional loads by services and not properly executed separate suspension for the lighting units can cause failure of the complete lighting system. Lindner lighting systems are high-quality products for the interior only. All in our documents mentioned performances are subject to correct installation according to our company's manuals and Standard Terms and Conditions.

Fig. 92a BMW FIZ, Munich



This document is intellectual property of Amstorf based Lindner-Holding KGaA. It may neither be duplicated, exploited for profit, distributed for business purposes nor shown to any third parties without our approval. Please note that all details, schemes, pictures and dimensions shown in this catalogue are without commitment and might vary due to final project requirements. Especially all figures shown in inch are rough dimensions only. Our O&M manuals, Installation Recommendations, Product Data Sheets, etc. and the installation of Lindner products are exclusively foreseen for persons with special metal ceiling knowledge. For safety reasons all others are not allowed to use Lindner products. Lindner lighting systems must be installed as a complete system. Missing, wrong or by other products substituted components, additional loads by services and not properly executed separate suspension for the lighting units can cause failure of the complete lighting system. Lindner lighting systems are high-quality products for the interior only. All in our documents mentioned performances are subject to correct installation according to our company's manuals and Standard Terms and Conditions.

Subject to change without notice.

LLP - Customized Lights

Fig. 92b Bayerische Vereinsbank, Munich



Subject to change without notice.

This document is intellectual property of Amstorf based Lindner-Holding KGaA. It may neither be duplicated, exploited for profit, distributed for business purposes nor shown to any third parties without our approval. Please note that all details, schemes, pictures and dimensions shown in this catalogue are without commitment and might vary due to final project requirements. Especially all figures shown in inch are rough dimensions only. Our O&M manuals, Installation Recommendations, Product Data Sheets, etc. and the installation of Lindner products are exclusively foreseen for persons with special metal ceiling knowledge. For safety reasons all others are not allowed to use Lindner products. Lindner lighting systems must be installed as a complete system. Missing, wrong or by other products substituted components, additional loads by services and not properly executed separate suspension for the lighting units can cause failure of the complete lighting system. Lindner lighting systems are high-quality products for the interior only. All in our documents mentioned performances are subject to correct installation according to our company's manuals and Standard Terms and Conditions.

Fig. 92c Museum of Modern Art, Linz



Subject to change without notice.

This document is intellectual property of Amstorf based Lindner-Holding KGaA. It may neither be duplicated, exploited for profit, distributed for business purposes nor shown to any third parties without our approval. Please note that all details, schemes, pictures and dimensions shown in this catalogue are without commitment and might vary due to final project requirements. Especially all figures shown in inch are rough dimensions only. Our O&M manuals, Installation Recommendations, Product Data Sheets, etc. and the installation of Lindner products are exclusively foreseen for persons with special metal ceiling knowledge. For safety reasons all others are not allowed to use Lindner products. Lindner lighting systems must be installed as a complete system. Missing, wrong or by other products substituted components, additional loads by services and not properly executed separate suspension for the lighting units can cause failure of the complete lighting system. Lindner lighting systems are high-quality products for the interior only. All in our documents mentioned performances are subject to correct installation according to our company's manuals and Standard Terms and Conditions.

Be sure to see the latest version of this page on our website at:
www.LindnerUSA.com or www.Lindner.ag

Fig. 92d ADCO, Abu Dhabi



We realize your design!

Subject to change without notice.

This document is intellectual property of Amstorf based Lindner-Holding KGaA. It may neither be duplicated, exploited for profit, distributed for business purposes nor shown to any third parties without our approval. Please note that all details, schemes, pictures and dimensions shown in this catalogue are without commitment and might vary due to final project requirements. Especially all figures shown in inch are rough dimensions only. Our O&M manuals, Installation Recommendations, Product Data Sheets, etc. and the installation of Lindner products are exclusively foreseen for persons with special metal ceiling knowledge. For safety reasons all others are not allowed to use Lindner products. Lindner lighting systems must be installed as a complete system. Missing, wrong or by other products substituted components, additional loads by services and not properly executed separate suspension for the lighting units can cause failure of the complete lighting system. Lindner lighting systems are high-quality products for the interior only. All in our documents mentioned performances are subject to correct installation according to our company's manuals and Standard Terms and Conditions.